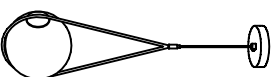
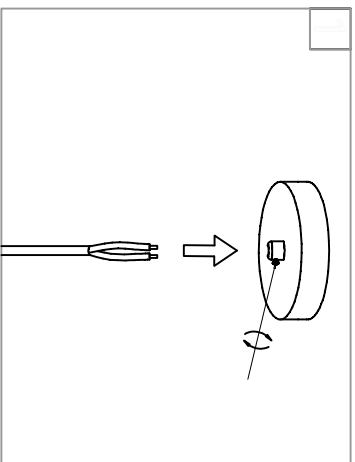


Warning:
This product must be installed by personnel who are familiar with its structure and related hazards, in accordance with the installation specifications. This product is suitable for indoor installation.

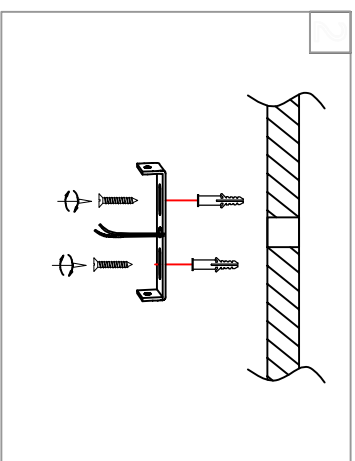


Product style diagram

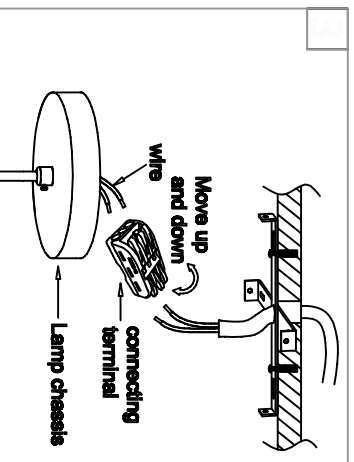
Steps of installation



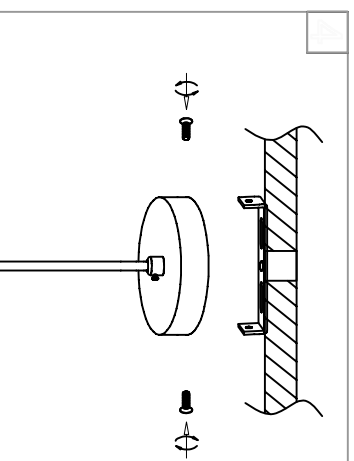
Install the wire onto the top cover



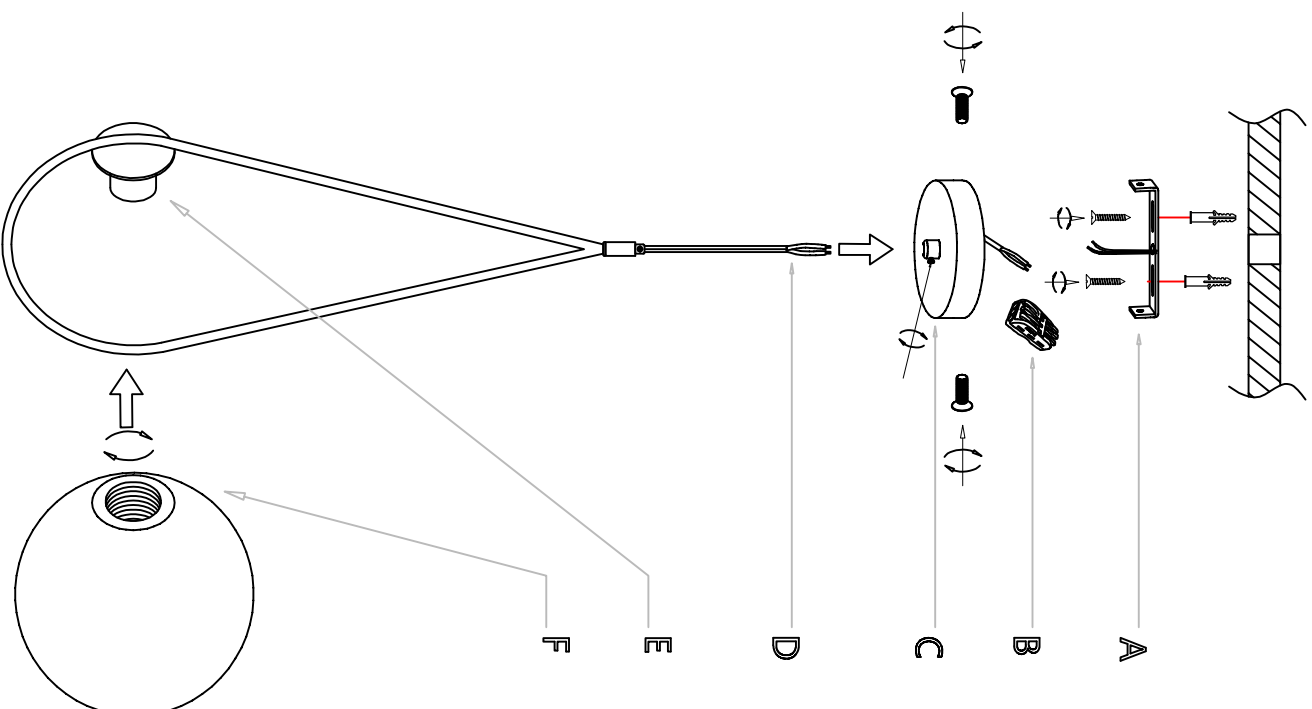
Fix the mounting plate to the ceiling



Connect the wires of the top cover and the wires of the ceiling using the terminal block.



Align the holes of the top cover with those of the mounting plate, and tighten the screws.



First, install the wire (D) onto the top cover (C). Then, fix the mounting plate (A) to the ceiling. Next, use the terminal blocks (B) to connect the wires of the top cover (C) to the wires of the ceiling. Then, align the holes of the top cover (C) with those of the mounting plate (A), and tighten the screws. After that, install the bulb, and attach the glass ball (F) to the lamp base (E).