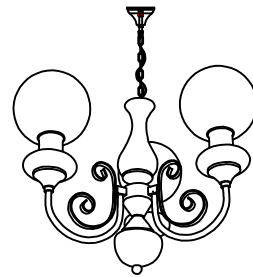


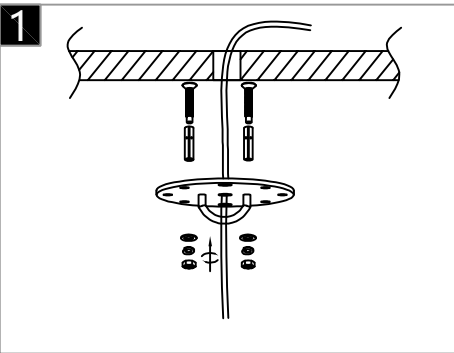
Warning:

This product must be installed by personnel who are familiar with its structure and related hazards, in accordance with the installation specifications. This product is suitable for indoor installation.

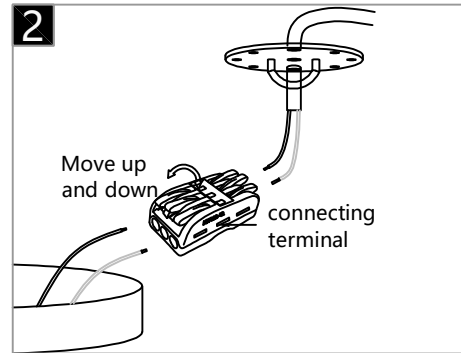


Product style diagram

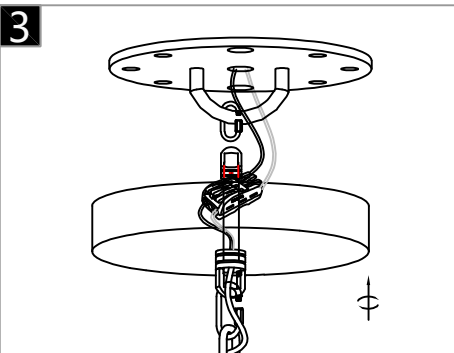
Steps of installation



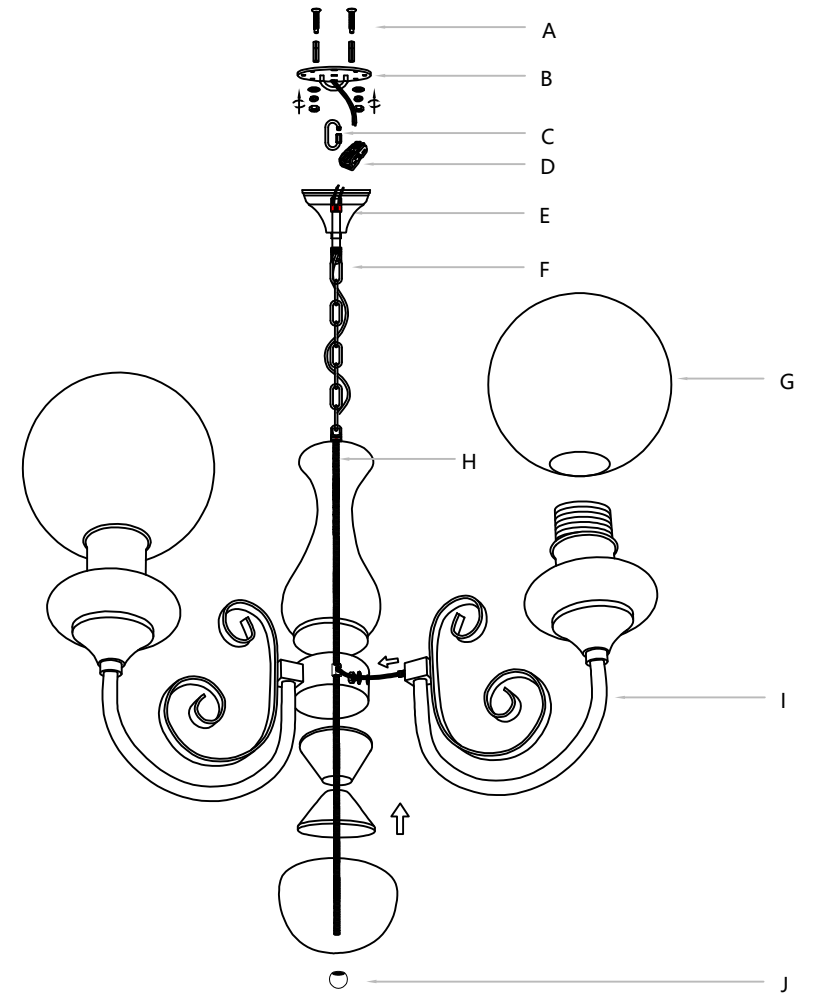
First, fix the expansion screws onto the ceiling, and then lock the mounting plate onto the screws.



Connect the wires inside the luminaire and ceiling to the terminal, usually neutral wire (white), hot wire (black)



Lock the clasp to the hook on the lamp cover and mounting plate, then tighten the screws



First, install the lamp arm (I) onto the lamp body, then install the accessories in sequence onto the lamp body, lock them with a circular nut (J), then install the light source onto the lamp head, then screw the glass cover (G) onto the lamp head, then screw the chain (F) onto the screw of the upper middle column (H), insert the nail into the screw (A), and then screw it into the ceiling. Next, use screws and washers to fix the mounting plate (B) onto the screws on the ceiling. Then, pass the wires through the chain (F) and insert them into the top cover (E). Next, fix the safety button (C) onto the top cover (E), and then hang it on the hook of the mounting plate (B). Then, connect the wires on the top cover (E) and the wires on the ceiling to the junction box (D). Finally, lift the top cover (E) upwards and tighten the bottom screws.