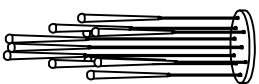


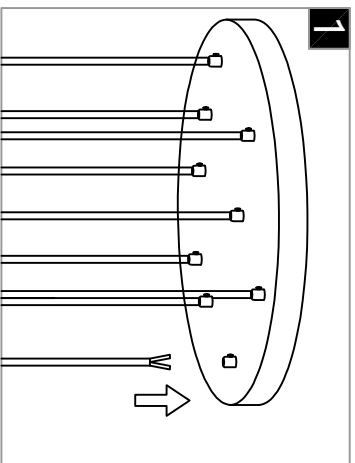
**Warning:**

This product must be installed by personnel who are familiar with its structure and related hazards, in accordance with the installation specifications. This product is suitable for indoor installation.

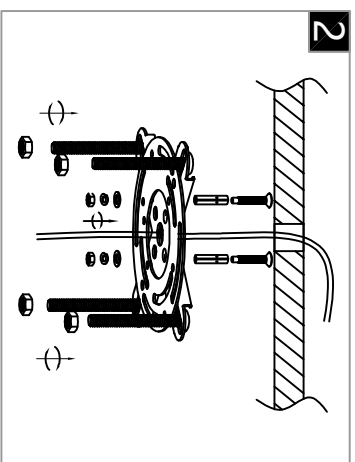


Product style diagram

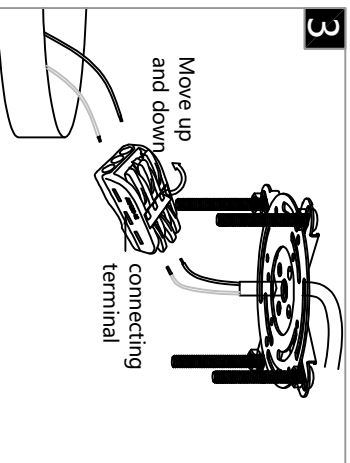
**Steps of installation**



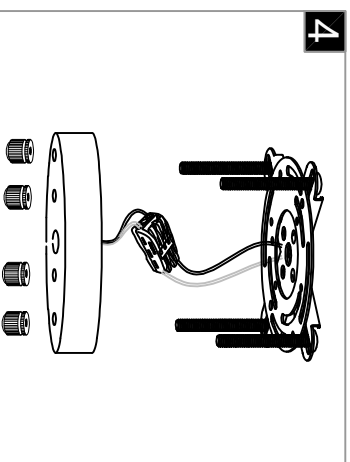
Adjust the length of the lamp wires and install them onto the top cover. Then, tighten the screws on the wire lock.



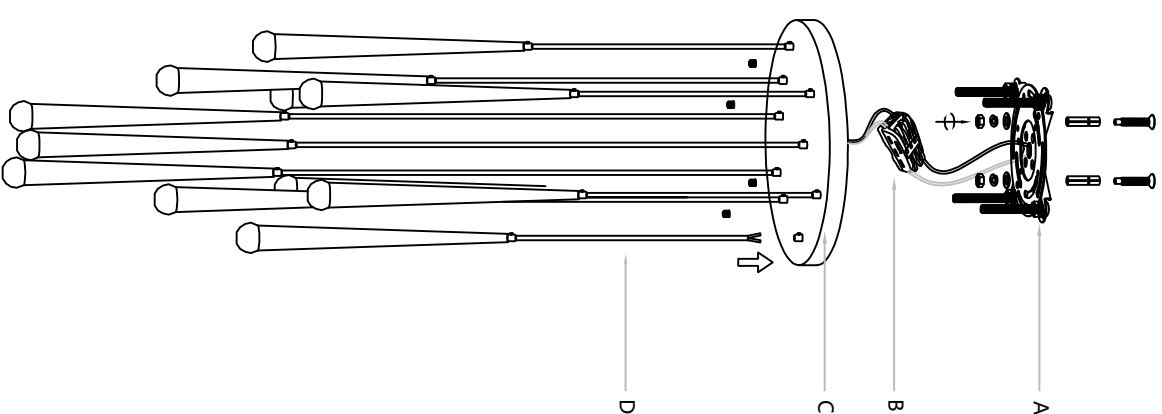
First, fix the expansion screws onto the ceiling, and then lock the mounting plate onto the screws.



Connect the wires inside the luminaire and ceiling to the terminal, usually neutral wire (white), hot wire (black)



Align the top cover hole position on the luminaire with the screws on the mounting plate and then secure from the bottom using the nut.



Adjust the length of the lamp wires (**D**) and install them onto the top cover (**C**). Then, tighten the screws on the wire locking clip. Fix the mounting plate (**A**) to the ceiling. Next, connect the wires reserved for the top cover (**C**) to the wires on the ceiling, and then connect them to the terminal block (**B**). Finally, align the holes on the top cover (**C**) with the holes on the mounting plate (**A**), and tighten the screws.