

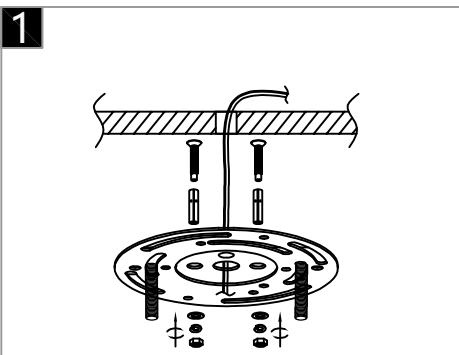
Warning:

This product must be installed by personnel who are familiar with its structure and related hazards, in accordance with the installation specifications. This product is suitable for indoor installation.

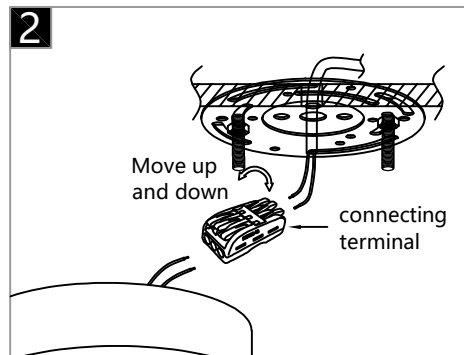


Product style diagram

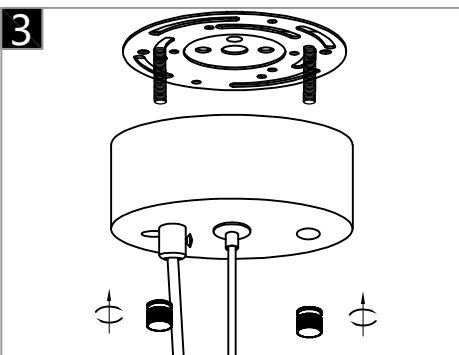
Steps of installation



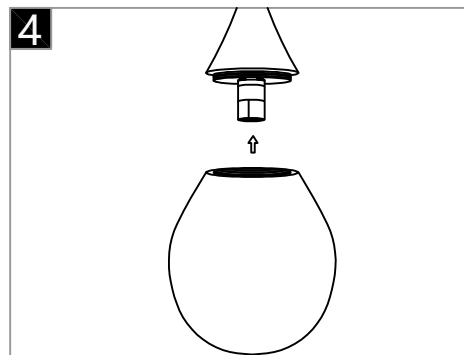
fix the expansion screws onto the ceiling, and then lock the mounting plate onto the screws.



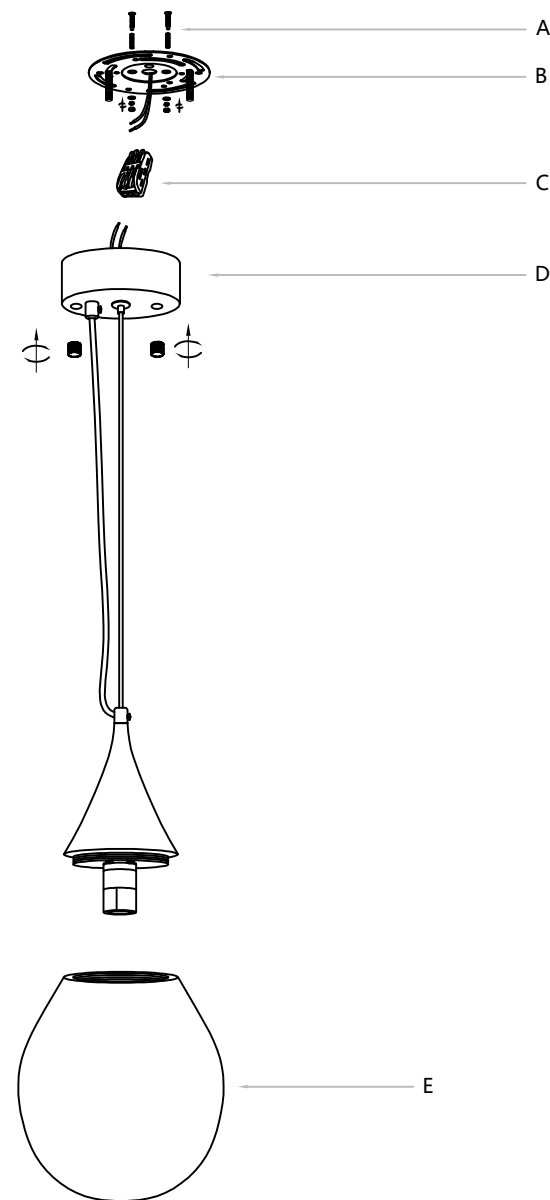
Connect the wires inside the luminaire and ceiling to the terminal, usually neutral wire (white), hot wire (black)



Align the top cover hole position on the luminaire with the screws on the mounting plate and then secure from the bottom using the nut.



Tighten the marble lampshade onto the lamp head.



Fix screw (A) to the ceiling with a nail, then fix the mounting plate (B) to the ceiling, then connect the wires on the top cover (D) to the terminal block (C) on the ceiling, and finally fix the top cover (D) to the mounting plate (B). It would be best to screw the marble lampshade (E) onto the lamp head.