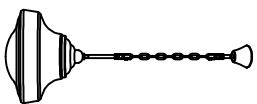
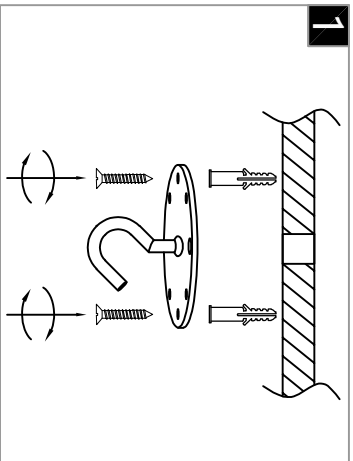


Warning:
This product must be installed by personnel who are familiar with its structure and related hazards, in accordance with the installation specifications. This product is suitable for indoor installation.

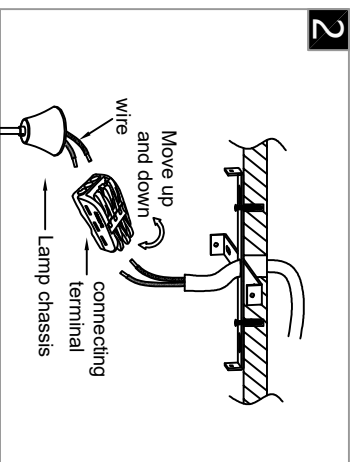


Product style diagram

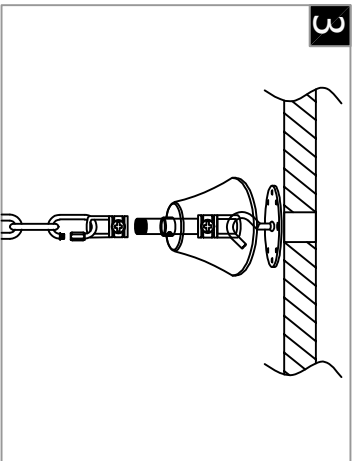
Steps of installation



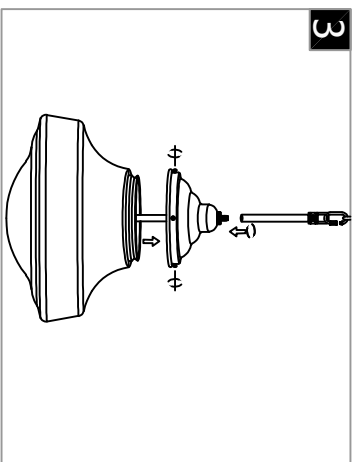
1 Then, fix the board to the ceiling.



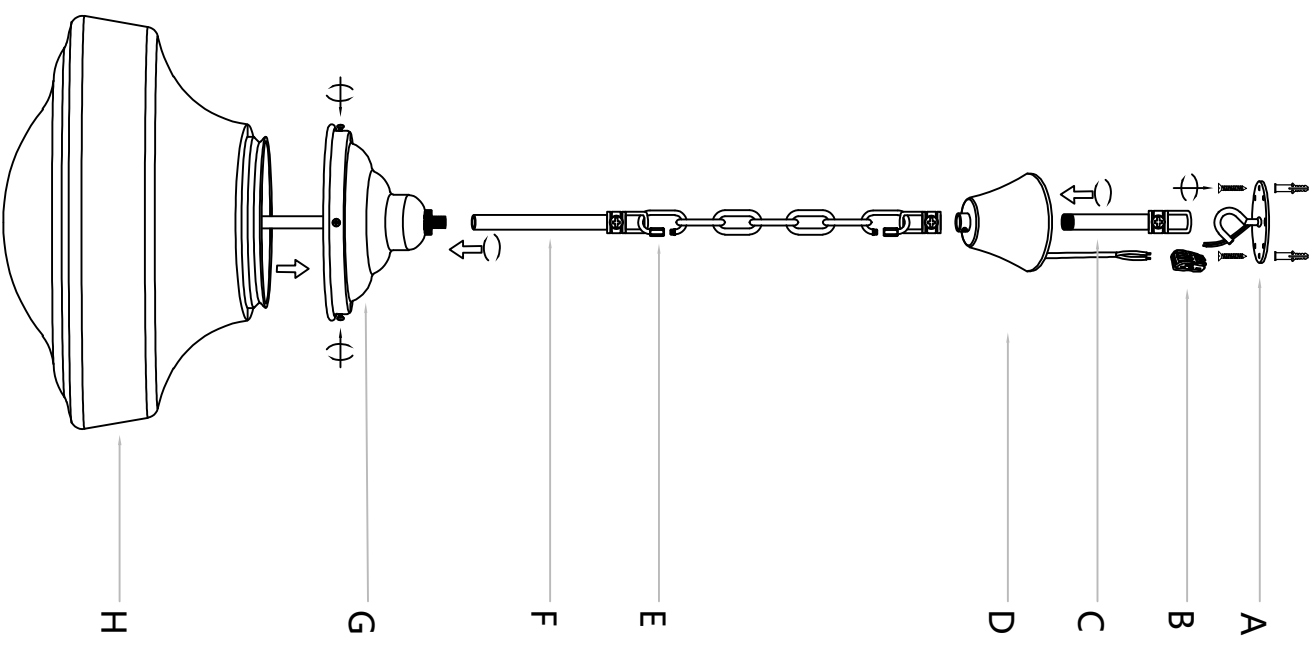
2 Next, use the terminal block to connect the wires of the top cover to the wires of the ceiling.



3 Then, cover the installation board with the top cover and lock the screws.



3 Finally, install the glass lampshade onto the lamp base, and lock the screws.



First, install the long rod (F) onto the lamp base (G). Then, use the movable latch (B) to connect the chain and the long rod (F). Next, pass the short rod (C) through the top cover (D) and connect the chain. Then, fix the board (A) to the ceiling. Next, use the terminal block (B) to connect the wires of the top cover (D) to the wires of the ceiling. Then, cover the installation board (A) with the top cover (D) and lock the screws. Finally, install the glass lampshade (H) onto the lamp base (G), and lock the screws.