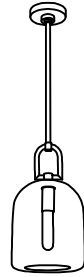
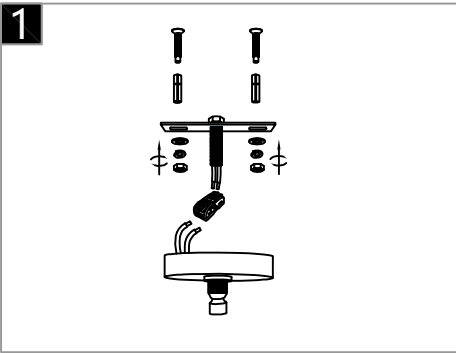


Warning:
 This product must be installed by personnel who are familiar with its structure and related hazards, in accordance with the installation specifications. This product is suitable for indoor installation.

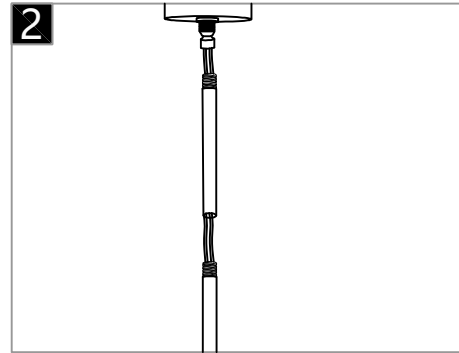


Product style diagram

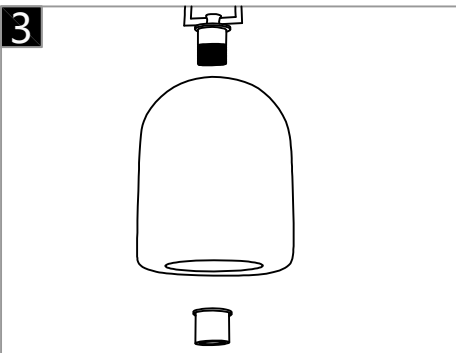
Steps of installation



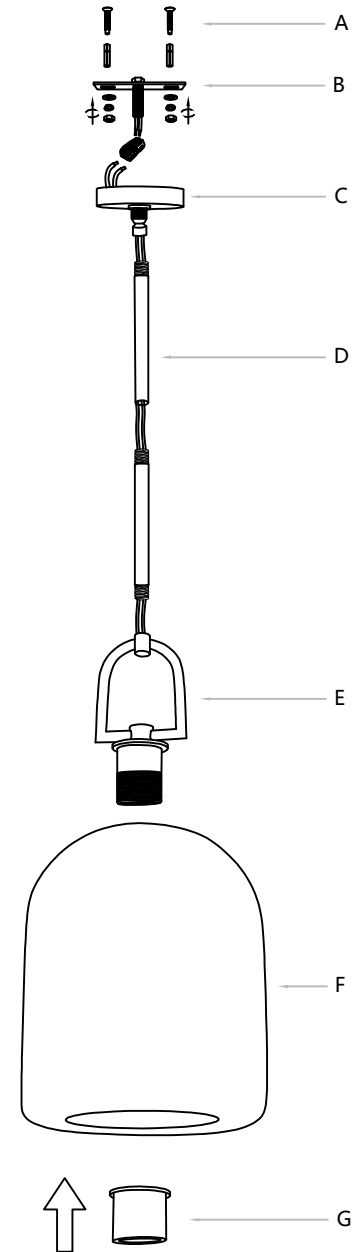
First, drive the screws into the ceiling.



Then connect the connecting rods together, then thread the wires through the connecting rods and place them on the top cover, and finally install the connecting rods onto the top cover and the lamp head frame.



Finally, attach the glass lampshade to the lamp base using the lamp cap.



First, insert the screw (A) into the ceiling. Then, assemble the connecting rod (D). Next, thread the wires through the connecting rod (D) and place them on the top cover (C). After that, install the connecting rod (D) onto the top cover (C) and the lamp holder (E). Then, attach the power wire to the terminal block (B). Next, install the top cover (C) onto the mounting plate (B). Finally, use the lamp head ring (G) to attach the glass lampshade (F) to the lamp holder (E).