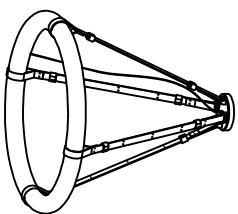
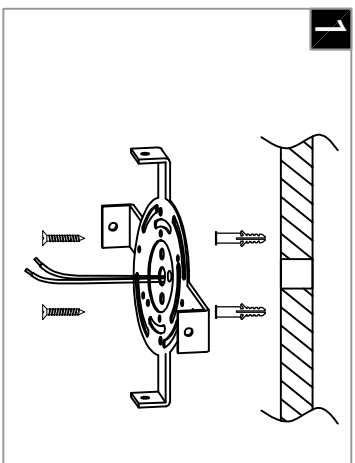


Warning:
This product must be installed by personnel who are familiar with its structure and related hazards, in accordance with the installation specifications. This product is suitable for indoor installation.

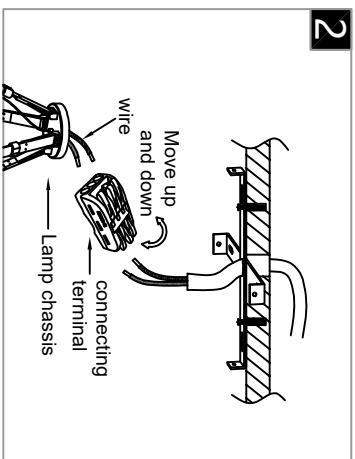


Product style diagram

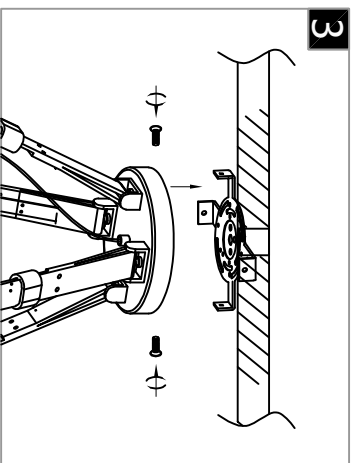
Steps of installation



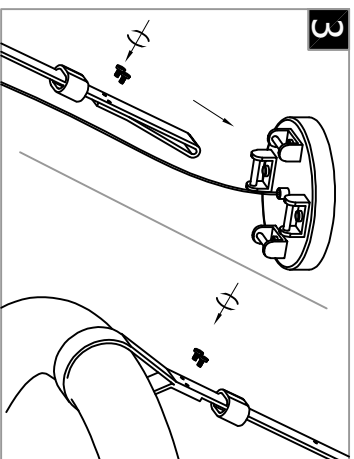
1 Attach the mounting plate to the ceiling.



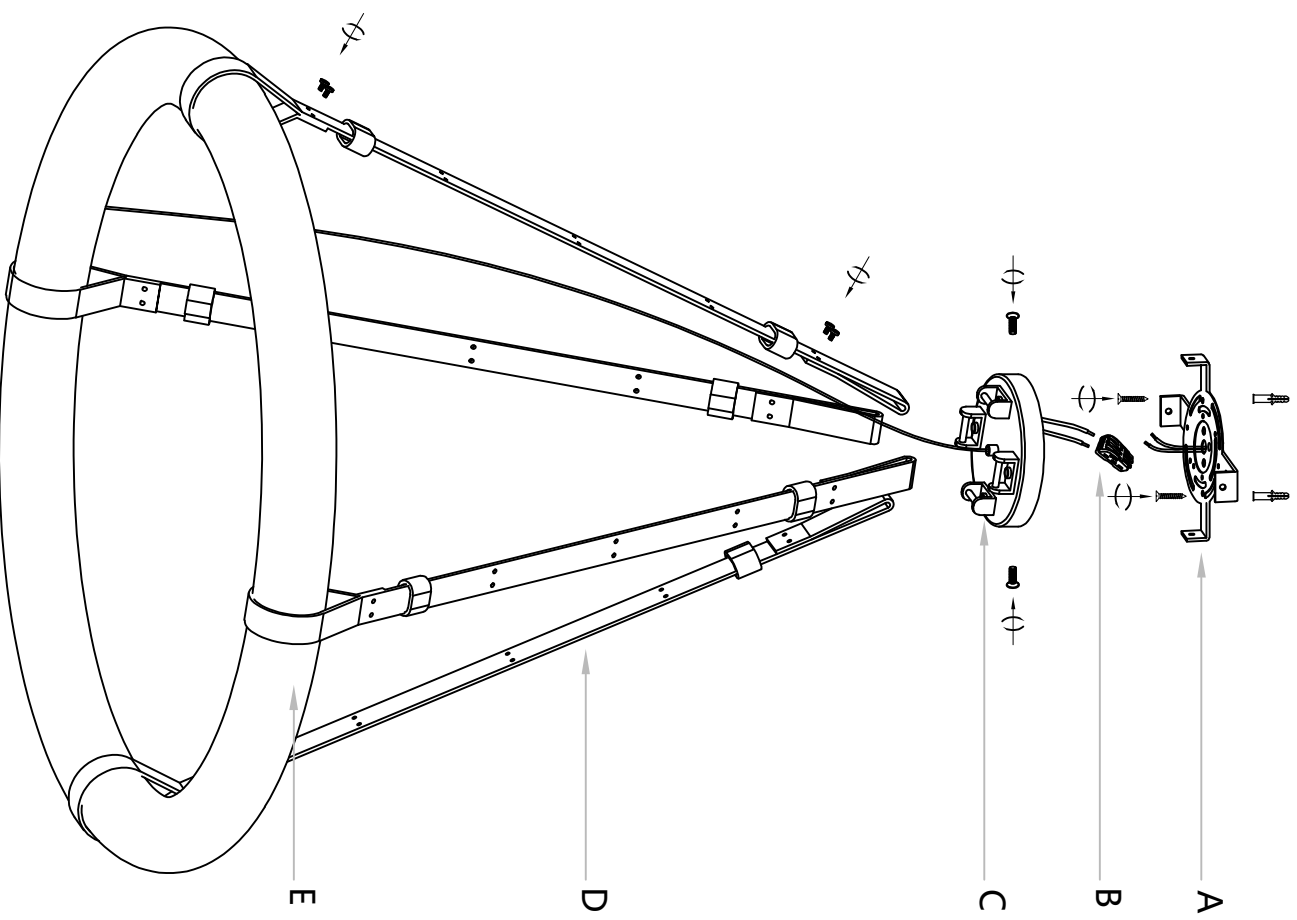
2 Connect the wires of the top cover to those of the ceiling using the terminal block.



3 Align the holes of the top cover with those of the mounting plate, and tighten the screws.



3 Loosen the leather strap. Wrap it around the lamp body on one side and around the cylindrical part of the top cover on the other side. Tighten the screws (the holes in the leather strap are for adjusting the length).



First, loosen the leather strap (D). Wrap it around the lamp body (E) on one side and around the cylindrical part of the top cover (C) on the other side. Tighten the screws (the holes in the leather strap are for adjusting the length). Next, pass the wires of the lamp body (E) through the top cover (C), and tighten the screws. Then, remove the mounting plate (A) and install it onto the ceiling. Next, connect the wires on the ceiling and the wires on the top cover (C) using the terminal blocks (B). Then, align the holes of the top cover (C) with those of the mounting plate (A), and tighten the screws.