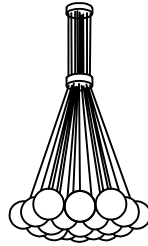
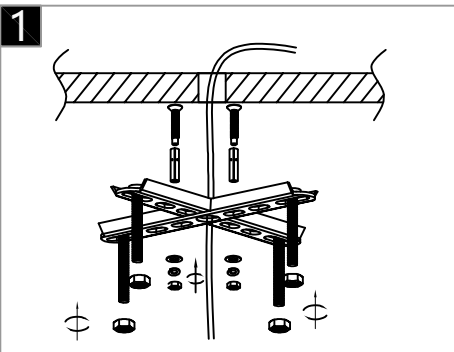


**Warning:**  
 This product must be installed by personnel who are familiar with its structure and related hazards, in accordance with the installation specifications. This product is suitable for indoor installation.

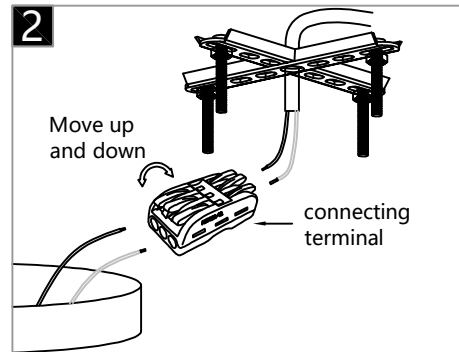


Product style diagram

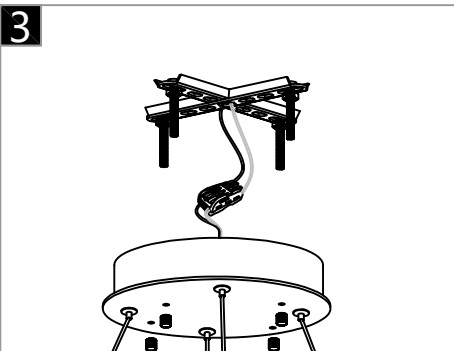
Steps of installation



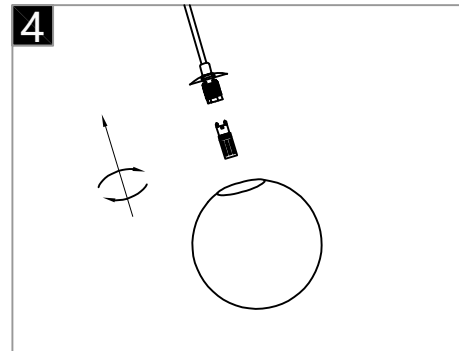
First, fix the expansion screws onto the ceiling, and then lock the mounting plate onto the screws.



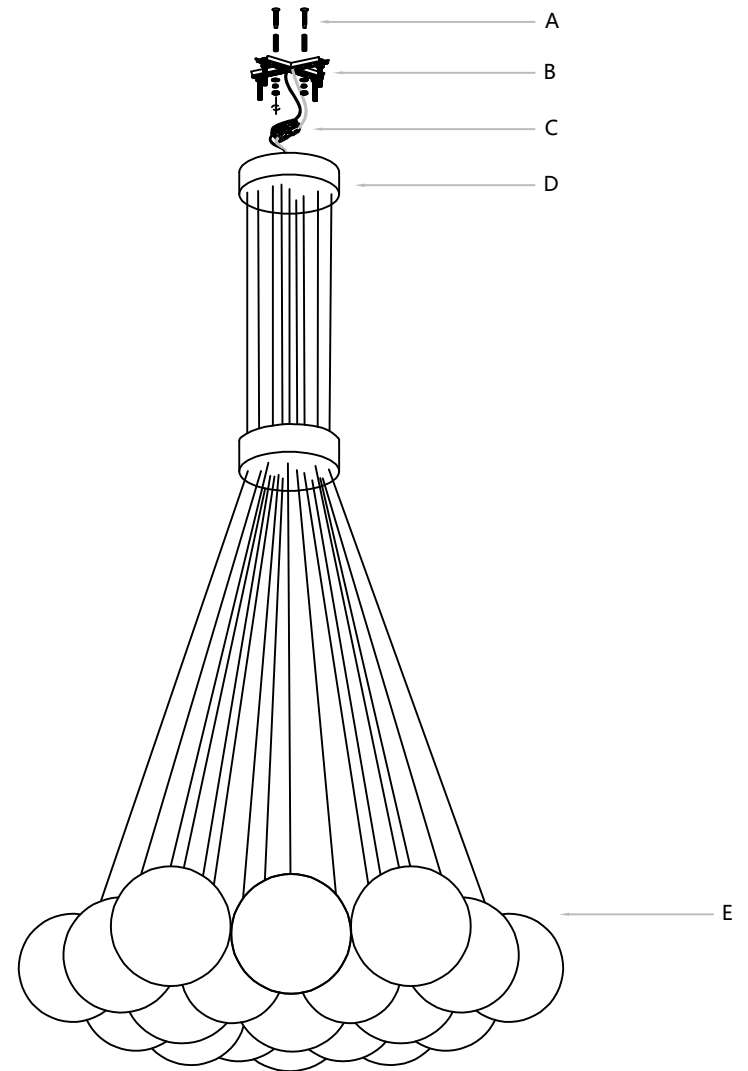
Connect the wires inside the luminaire and ceiling to the terminal, usually neutral wire (white), hot wire (black)



Align the holes on the canopy with the screws on the mounting plate, and then use the wing nut to secure it from the bottom.



First, install the G9 light source onto the lamp head, and then screw the jade lamp cover onto the lamp head.



Fix the screw (A) with an iron nail onto the ceiling, then fix the mounting plate (B) onto the ceiling, then connect the wires on the top cover (D) to the wiring terminals (C) on the ceiling, and finally fix the top cover (D) onto the mounting plate (B). First, install the G9 light source onto the lamp head, and then screw the jade lamp cover (E) onto the lamp head.