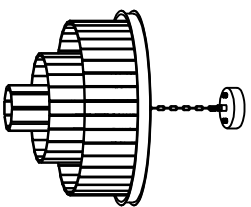


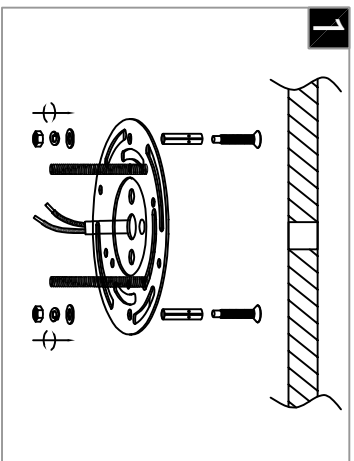
Warning:

This product must be installed by personnel who are familiar with its structure and related hazards, in accordance with the installation specifications. This product is suitable for indoor installation.

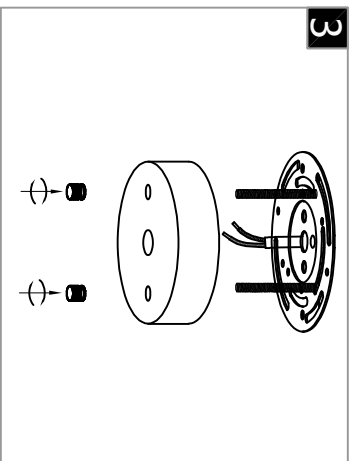


Product style diagram

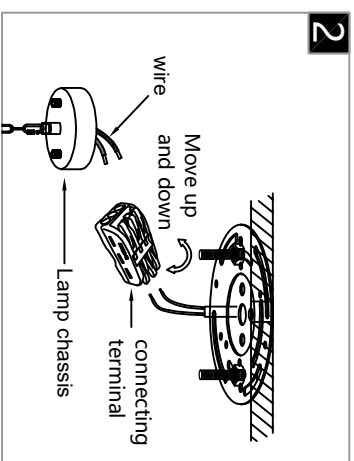
Steps of installation



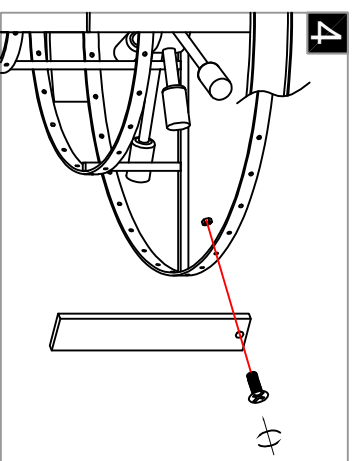
Fix the expansion screws onto the ceiling, and then lock the mounting plate onto the screws.



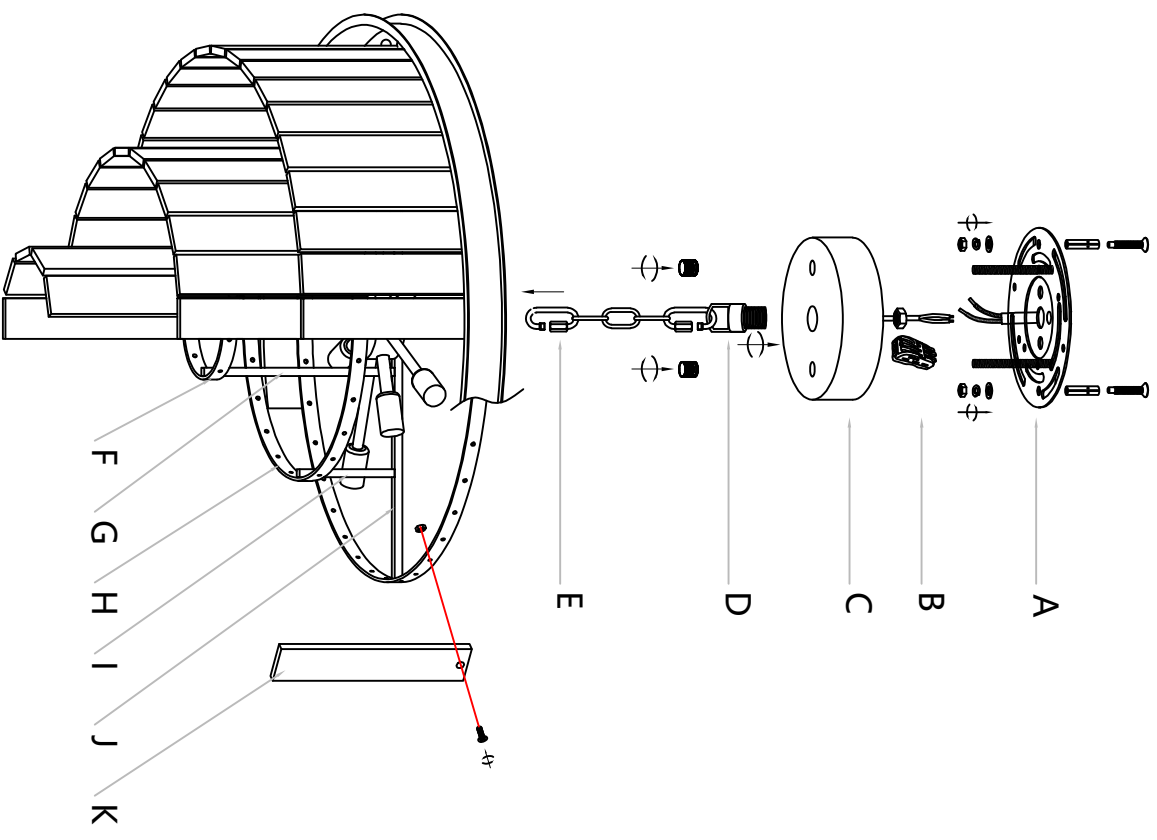
Align the top cover hole position on the luminaire with the screws on the mounting plate and then secure from the bottom using the nut.



Connect the wires inside the luminaire and ceiling to the terminal, usually neutral wire (white), hot wire (black)



Install the bulb on the lamp head (the short lamp head can be bent at 90°), align the holes of the stone lamp cover with the small ring, the middle ring, and the large ring, and tighten the screws and nuts.



First, fix 4 short square tubes (F) and 4 long square tubes (G) onto the lamp body (J), then install the small ring (F) onto the long square tube (G), and install the middle ring (H) onto the short square tube (I). Next, remove the installation plate (A) of the top cover (C) and install it onto the ceiling. Then, attach the chain hook (E) to the wires of the lamp body, pass the wires through the chain (D) and the top cover (C), and fix the top cover (C) and the chain (D) with nuts. Then, connect the wires and the ceiling wires using the terminal (B). Next, align the holes of the top cover (C) with the threaded rod of the installation plate (A), and tighten the nut. Then, install the bulb on the lamp head (the short lamp head can be bent at 90°), align the holes of the stone lamp cover (K) with the small ring (F), the middle ring (H), and the large ring, and tighten the screws and nuts.