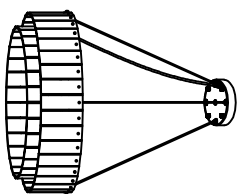
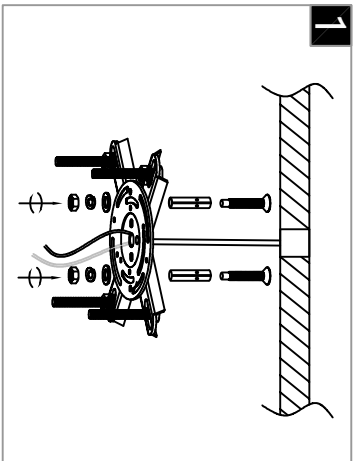


**Warning:**  
This product must be installed by personnel who are familiar with its structure and related hazards, in accordance with the installation specifications. This product is suitable for indoor installation.

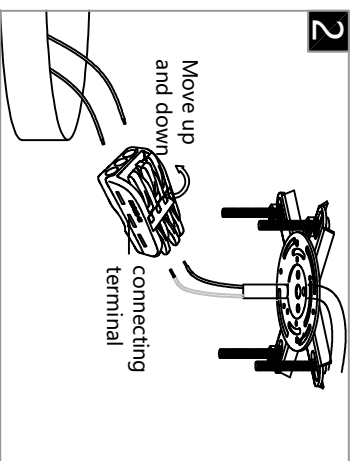


Product style diagram

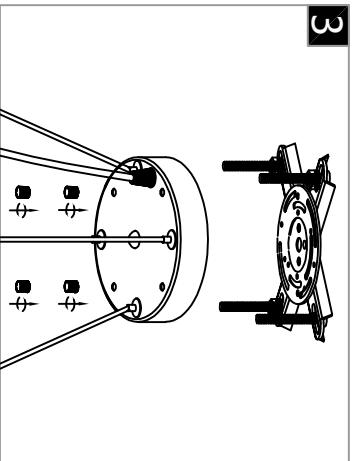
## Steps of installation



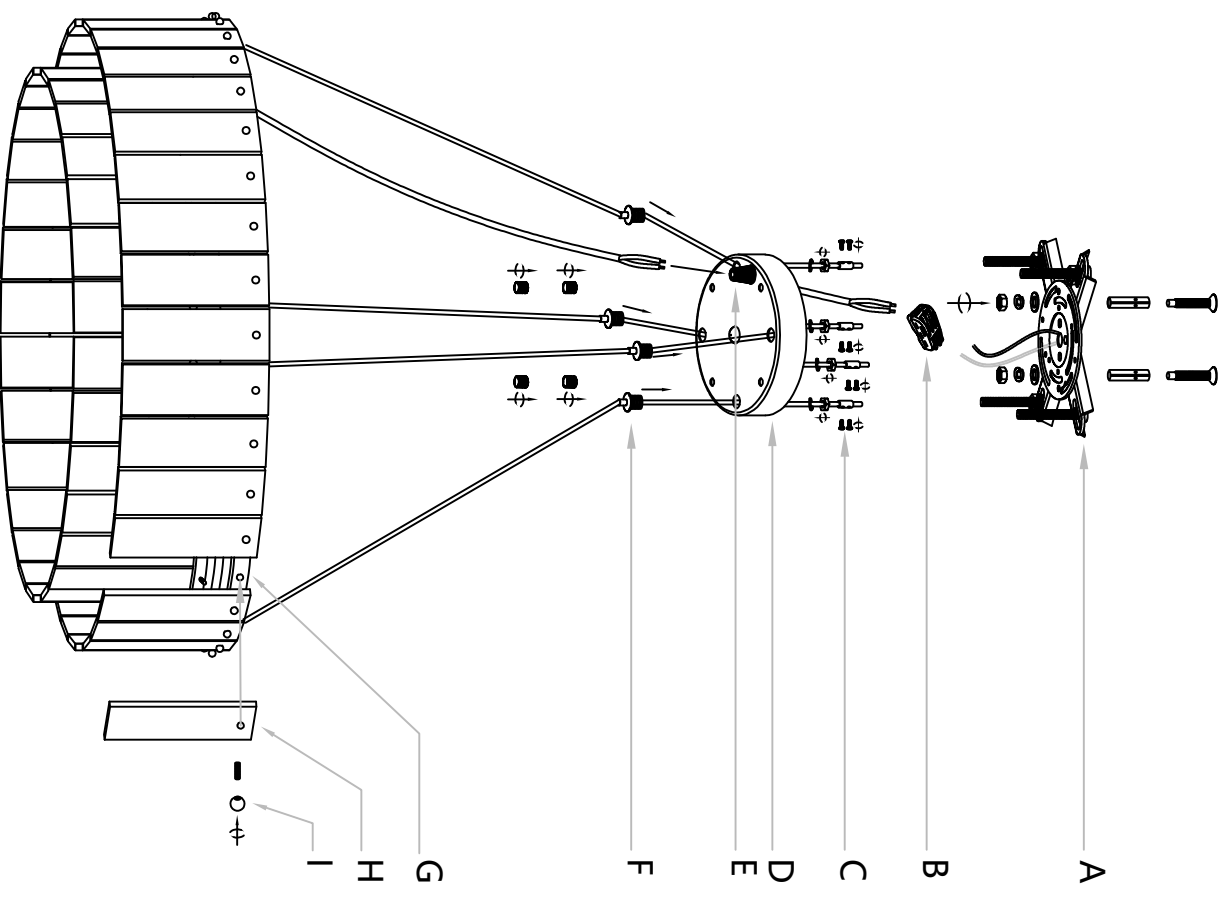
Attach the mounting plate to the ceiling.



Use the terminal block to connect the wires of the top cover to those of the ceiling.



Align the holes of the top cover (C) with the threaded rod of the mounting plate (A) and tighten the nut.



First, attach the mounting plate (A) to the ceiling. Next, fix the telescopic head (F) onto the top cover (C) and thread the wires through the wire holder (E), then rotate and secure it. Then, use the terminal block (B) to connect the wires of the top cover (C) to those of the ceiling. Next, install the threaded rod onto the nut (I), and after aligning the holes of the glass plate (H) with those of the lamp stand (G), fix it using the nut (I).