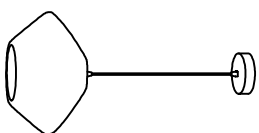


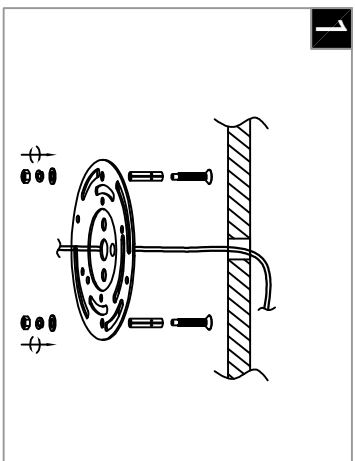
**Warning:**

This product must be installed by personnel who are familiar with its structure and related hazards, in accordance with the installation specifications. This product is suitable for indoor installation.

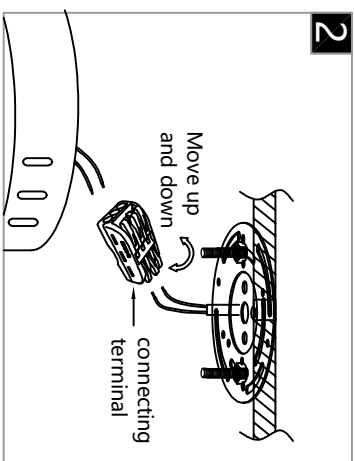


Product style diagram

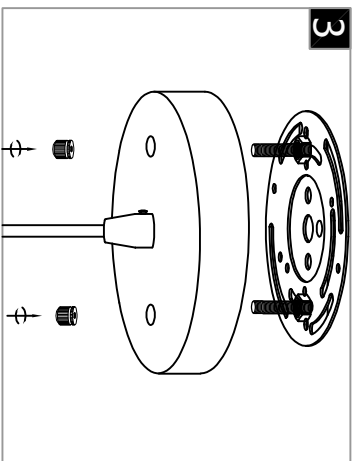
**Steps of installation**



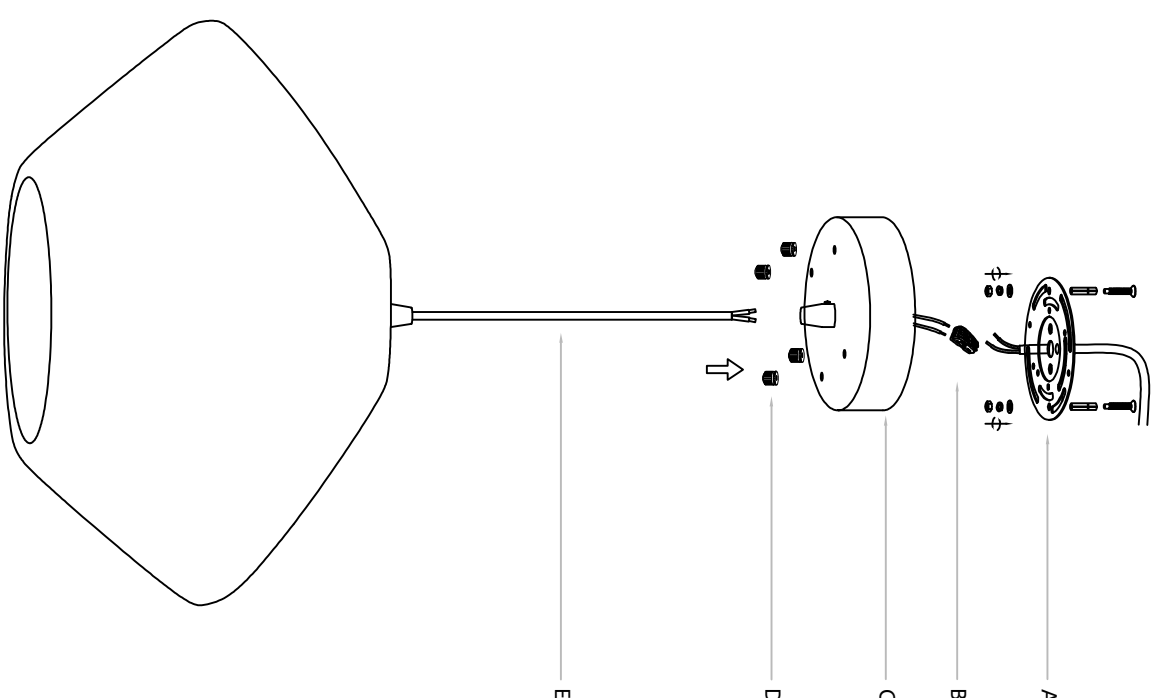
fix the expansion screws onto the ceiling, and then lock the mounting plate onto the screws.



Connect the wires inside the luminaire and ceiling to the terminal, usually neutral wire (white), hot wire (black)



Align the top cover hole position on the luminaire with the screws on the mounting plate and then secure from the bottom using the nut.



Install the wires (E) on the lamp onto the top cover (C), then use a screwdriver to tighten the lock wire clip. Next, drive the expansion screws (A) into the ceiling, then install the mounting plate (A) onto the ceiling, connect the reserved wires on the top cover (C) and the ceiling to the terminal block (B), and finally align the holes on the top cover (C) with the screws on the mounting plate (A) and tighten them with the wing nut (D).