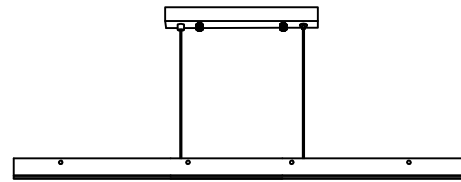


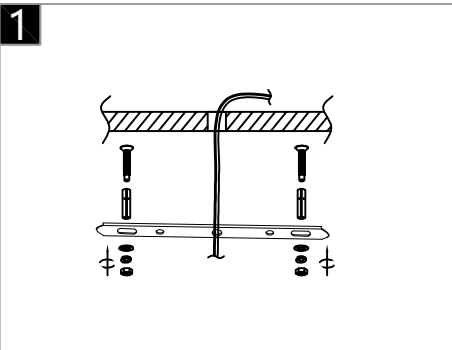
Warning:

This product must be installed by personnel who are familiar with its structure and related hazards, in accordance with the installation specifications. This product is suitable for indoor installation.

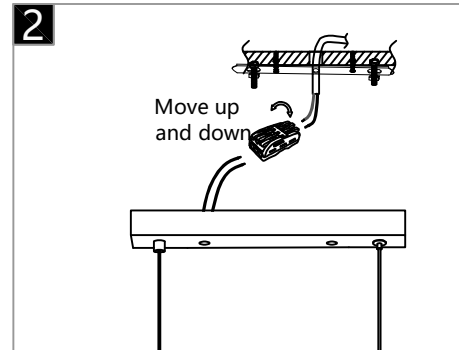


Product style diagram

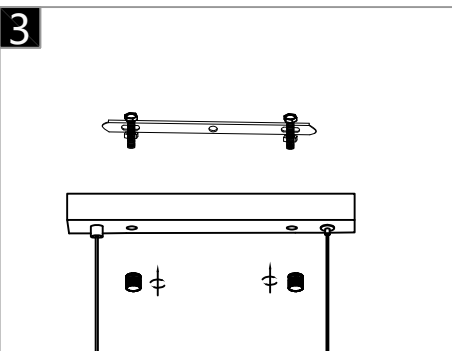
Steps of installation



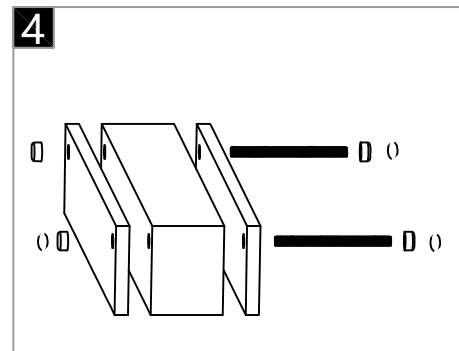
First, fix the expansion screws onto the ceiling, and then lock the mounting plate onto the screws.



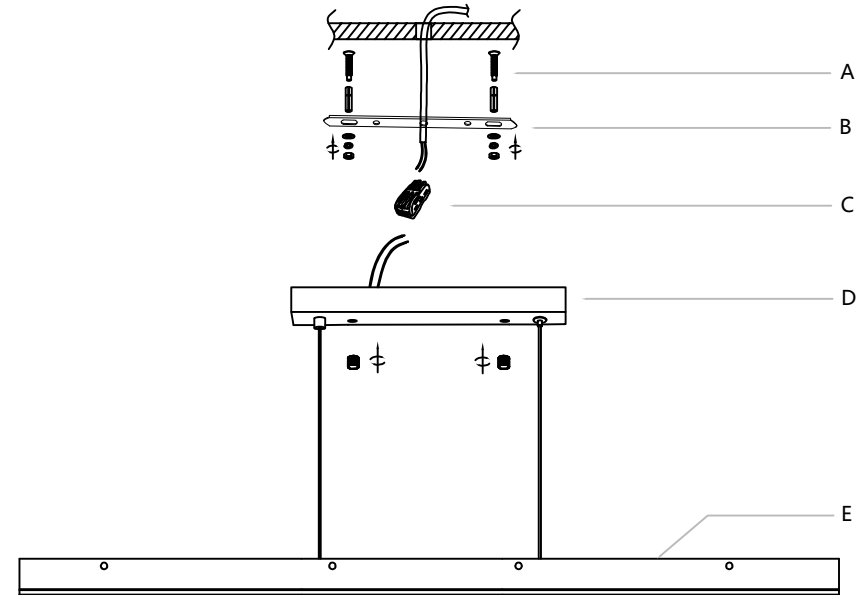
Connect the wires inside the luminaire and ceiling to the terminal, usually neutral wire (white), hot wire (black)



Align the bottom holes on the top cover with the screws on the mounting plate, and then tighten them with a wing nut.



Install the jade lamp panel onto the lamp body using screws.



Fix the screw (A) with an iron nail onto the ceiling, then fix the mounting plate (B) onto the ceiling, then connect the wires on the top cover (D) to the wiring terminals (C) on the ceiling, and finally fix the top cover (D) onto the mounting plate (B). Finally, use screws to install the jade lamp panel (E) onto the lamp body.