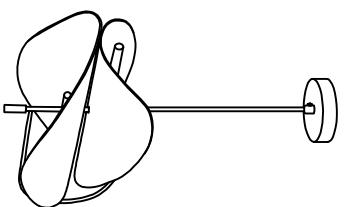


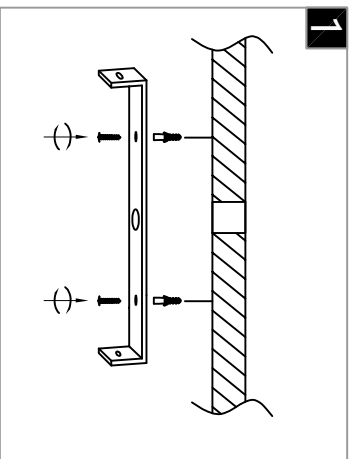
**Warning:**

This product must be installed by personnel who are familiar with its structure and related hazards, in accordance with the installation specifications. This product is suitable for indoor installation.



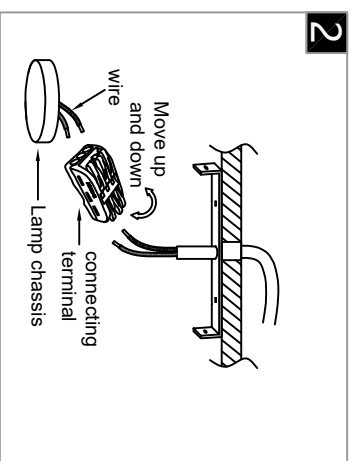
Product style diagram

**Steps of installation**



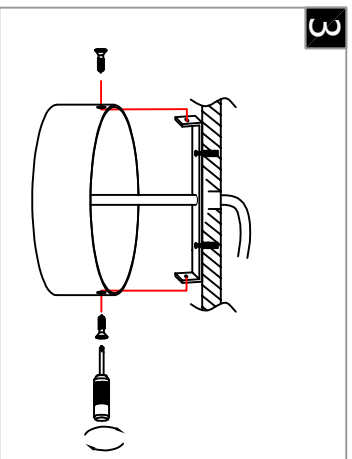
**1**

Attach the mounting plate to the ceiling with self-tapping screws.



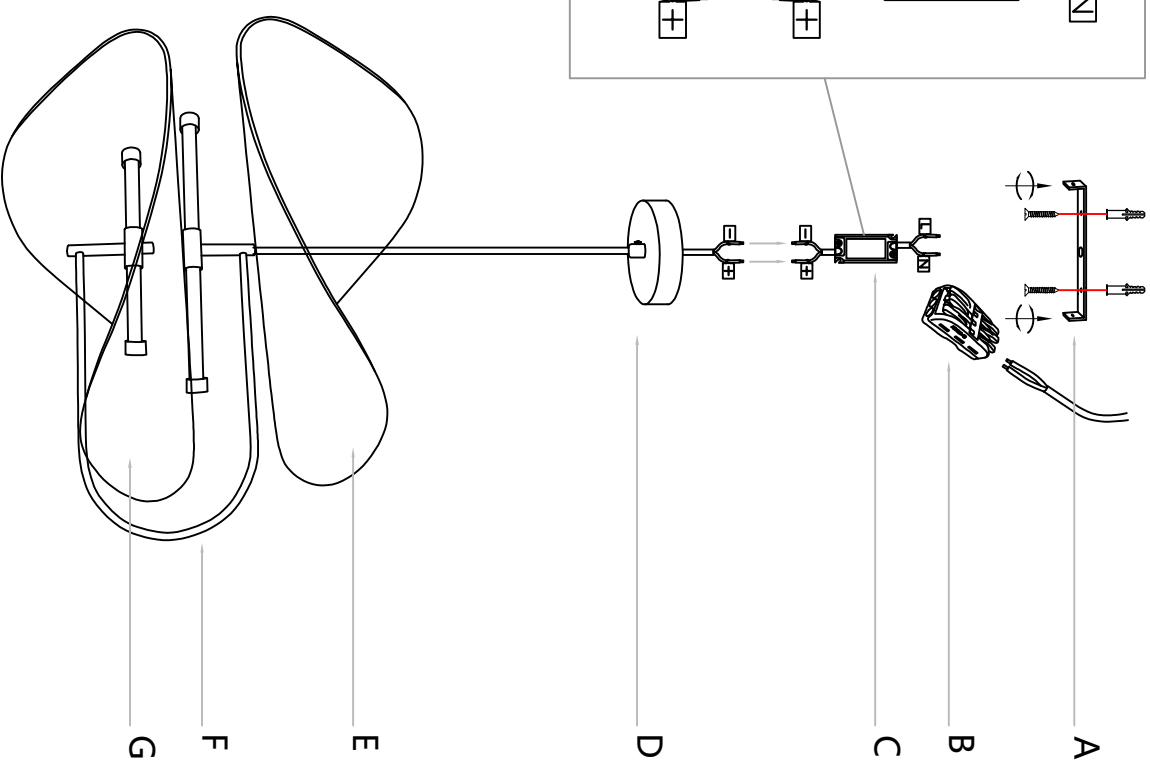
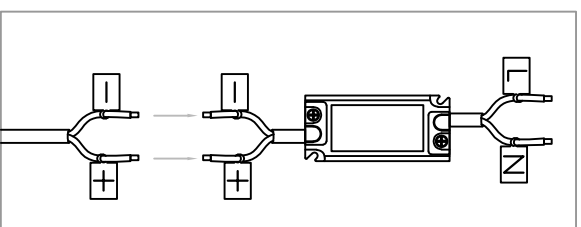
**2**

Connect the wires of the top cover to the positive and negative terminals of the power supply, and then use the quick connector to connect the wires of the power supply to the wires on the ceiling.



**3**

Align the holes on the top cover with the holes on the mounting plate, and then secure them with screws.



First, pass the wires of the lamp body (F) through the lamp cover (E) and insert them into the wire holder on the top cover (G). Adjust the length, tighten the screws on the wire holder, and then install the lamp cover (G) onto the lamp body (F).

Then, fix the mounting plate (A) to the ceiling.

Next, connect the wires of the top cover (D) to the positive and negative terminals of the power supply (C), and then use the quick connector (B) to connect the wires of the power supply (C) to the wires on the ceiling.

Then, align the screw holes on the side of the top cover (C) with those on the side of the mounting plate (A), and tighten the screws.