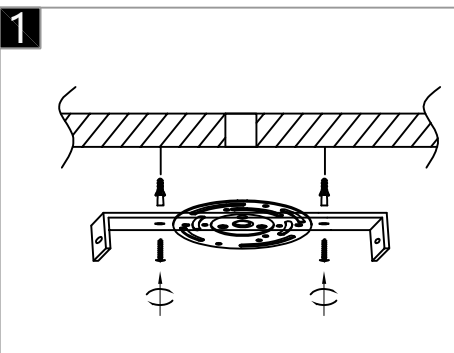


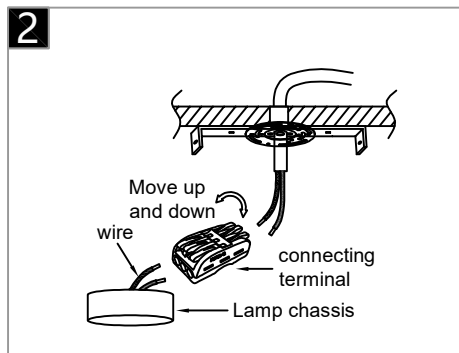
Warning:
 This product must be installed by personnel who are familiar with its structure and related hazards, in accordance with the installation specifications. This product is suitable for indoor installation.



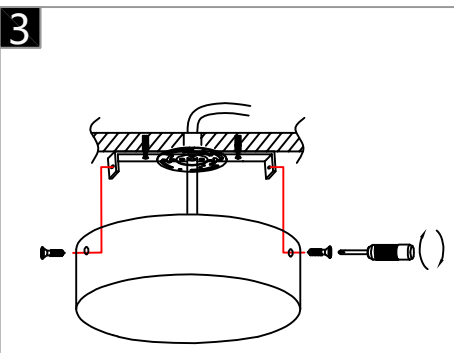
Product style diagram



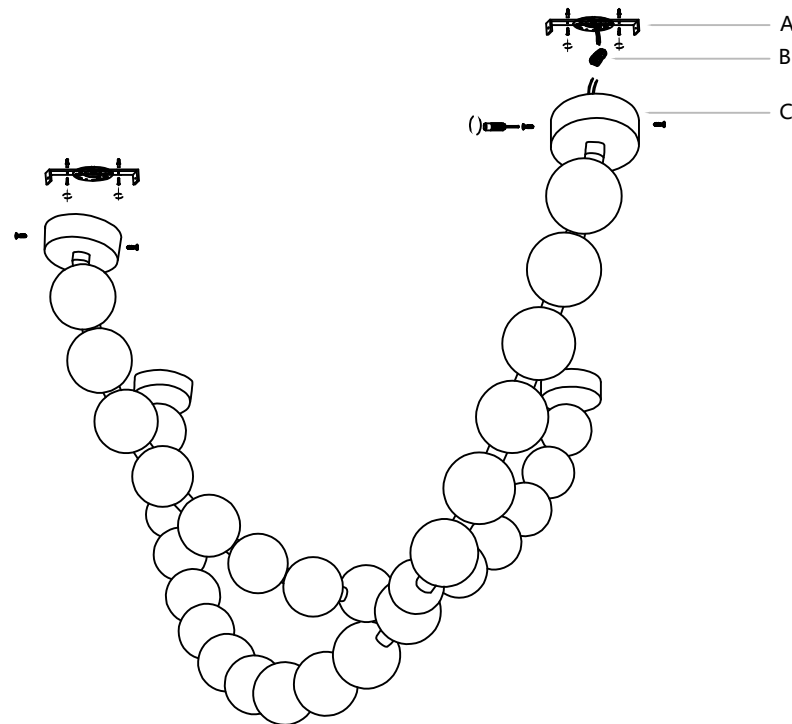
1
 Fix the installation board to the ceiling using self-tapping screws.



2
 Connect the wires to the terminal blocks. Usually, the neutral wire (white) and the live wire (black).



3
 Align the holes on the top cover with the holes on the mounting plate, and then secure them with screws.



Adjust the position and angle, then fix the mounting plate (A) to the ceiling. Next, connect the wires reserved for the top cover (C) to the wires on the ceiling, and then connect them to the terminal block (B). Then, align the holes on the top cover (C) with the holes on the mounting plate (A), and tighten the screws.