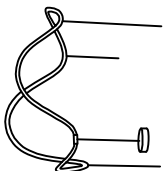


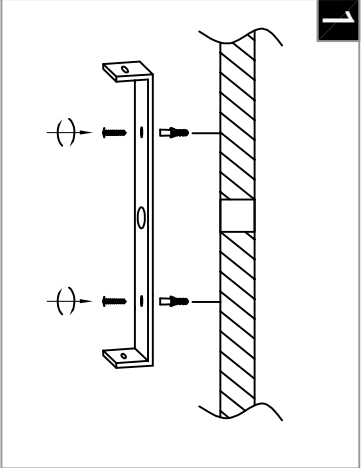
Warning:

This product must be installed by personnel who are familiar with its structure and related hazards, in accordance with the installation specifications. This product is suitable for indoor installation.

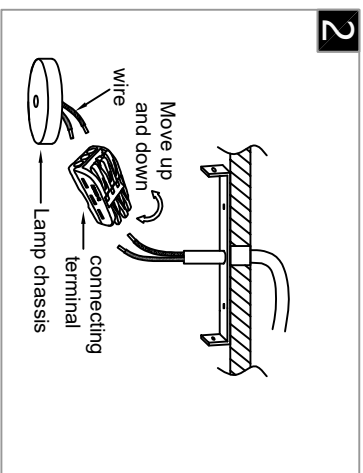


Product style diagram

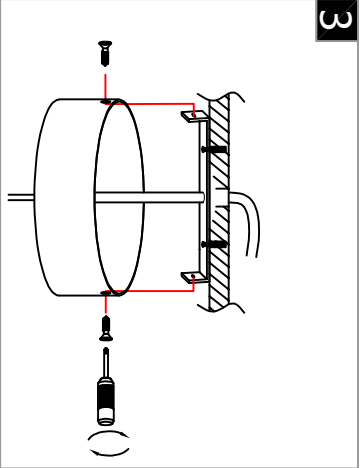
Steps of installation



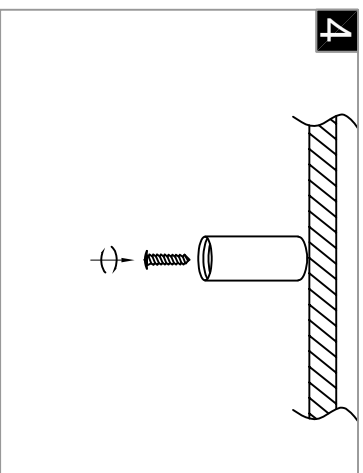
Attach the mounting plate to the ceiling with self-tapping screws.



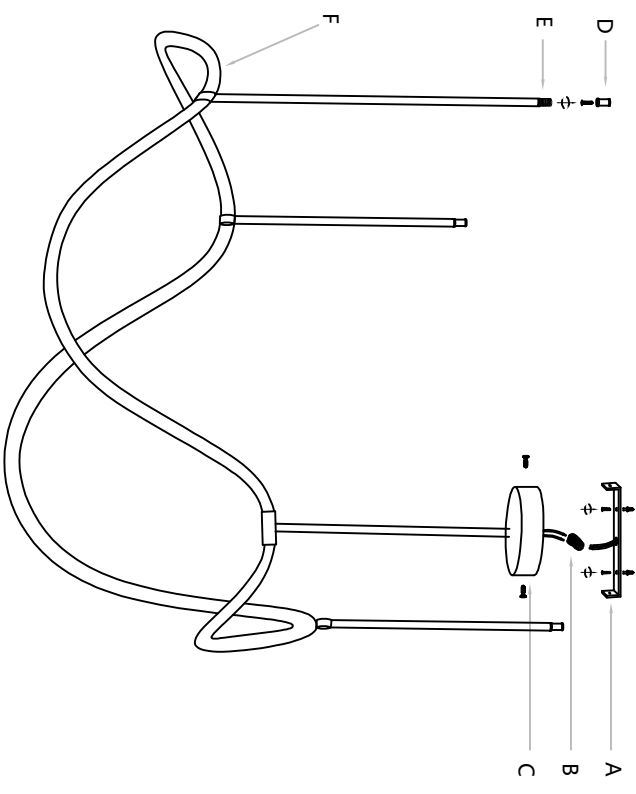
Connect the wires inside the luminaire and ceiling to the terminal, usually neutral wire (white), hot wire (black)



Align the holes on the top cover with the holes on the mounting plate and then secure them with screws.



Place the iron nail at the desired angle position, then fix it to the ceiling using a self-tapping screw, and finally screw the connecting rod onto it.



Place the iron nail (D) in the desired inclined position, then fix it to the ceiling using a self-tapping screw. Next, screw the connecting rod (E) onto the iron nail (D), and then pass the light strip (F) through the connecting rod (E) to connect them together. Fix the installation plate (A) to the ceiling. Then, connect the reserved wires (C) for the cover to the wires and terminals (B) on the ceiling. Next, align the holes on the cover (C) with the holes on the installation plate (A), and then tighten the screws.