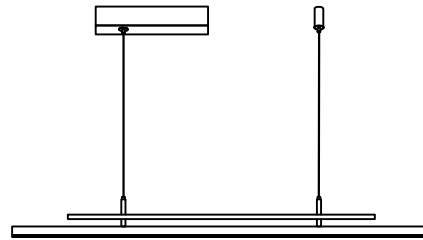
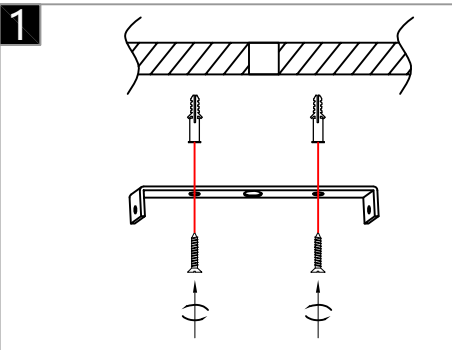


**Warning:**  
This product must be installed by personnel who are familiar with its structure and related hazards, in accordance with the installation specifications. This product is suitable for indoor installation.

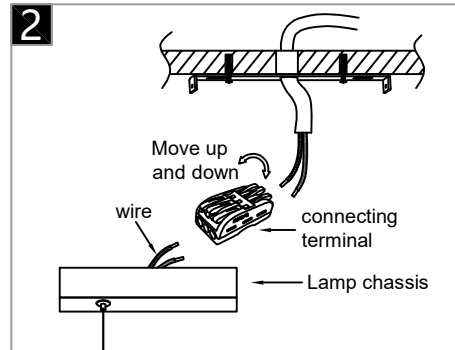


Product style diagram

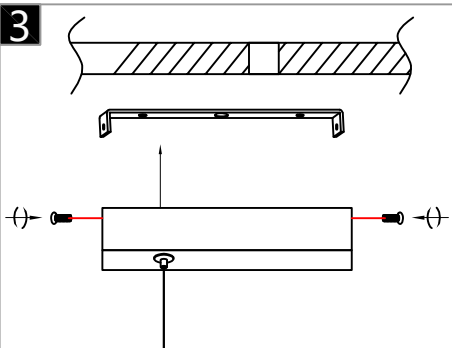
**Steps of installation**



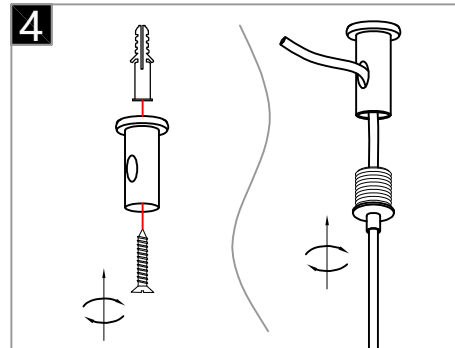
Fix the mounting plate to the ceiling.



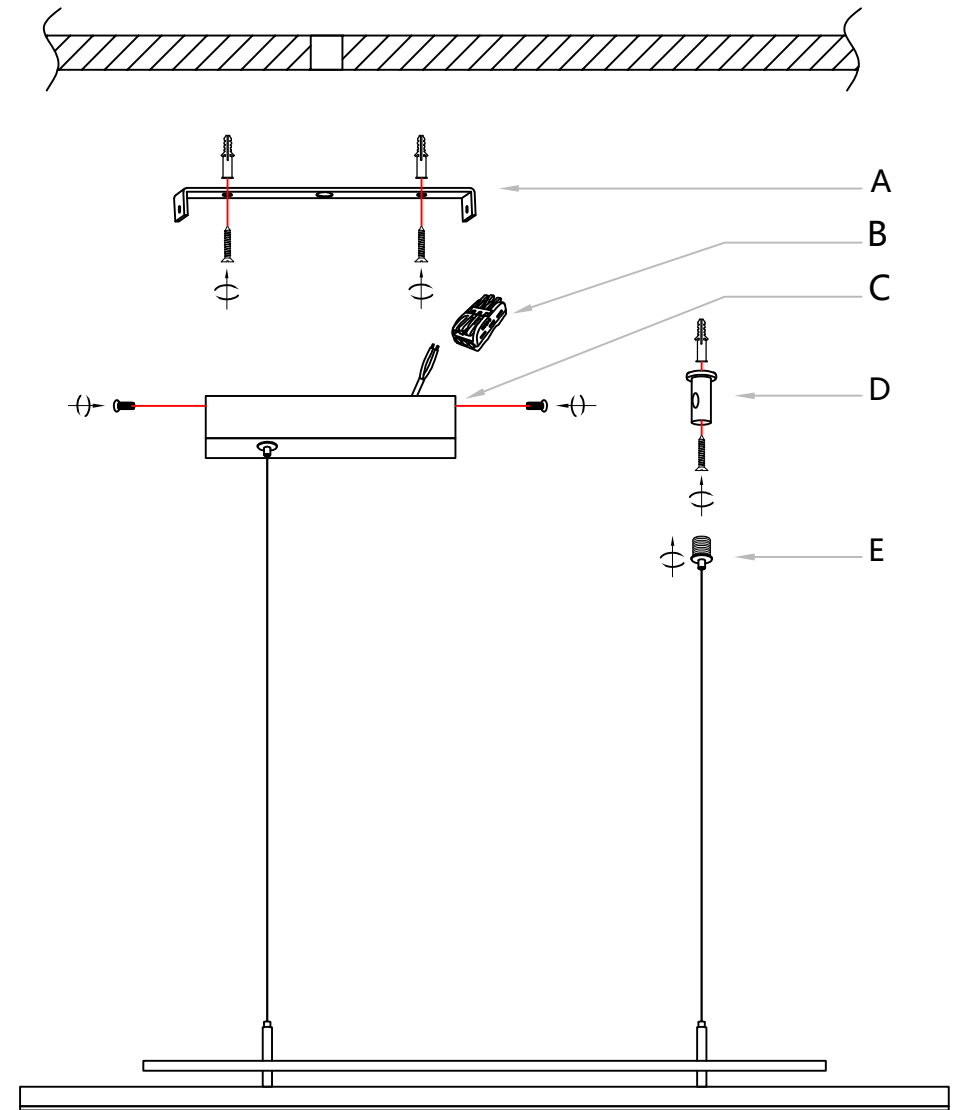
Using the quick connector, connect the wires on the box to the wires on the ceiling.



Align the holes on the box with those on the mounting plate, and tighten the screws.



Measure the distance between the wires with a tape measure, mark the ceiling, fix the T-shaped cylinder at the marked position on the ceiling, then pass the wires of the fixing device through the holes on the side of the T-shaped cylinder, and finally tighten the fixing device. (by pressing the protrusion of the fixing device to adjust the length of the hanging wire).



First, fix the mounting plate (A) to the ceiling.

Next, use the quick connector (B) to connect the wires on the box (C) to the wires on the ceiling.

Then, align the holes on the box (C) with the screw holes on the mounting plate (A), and tighten the screws.

Next, measure the distance between the wires with a tape measure, mark the ceiling, fix the T-shaped cylinder (D) at the marked position on the ceiling, then pass the wires of the fixing device (E) through the holes on the side of the T-shaped cylinder (D), and finally tighten the fixing device (E) (by pressing the protrusion of the fixing device to adjust the length of the hanging wire).