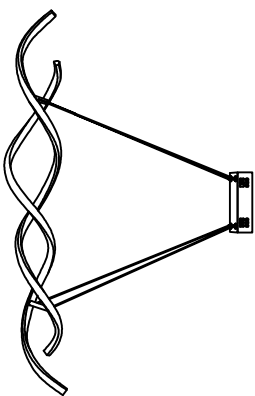
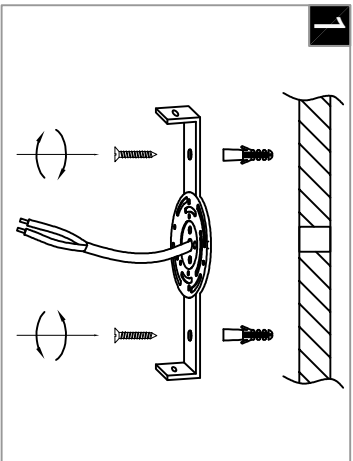


Warning:
This product must be installed by personnel who are familiar with its structure and related hazards, in accordance with the installation specifications. This product is suitable for indoor installation.



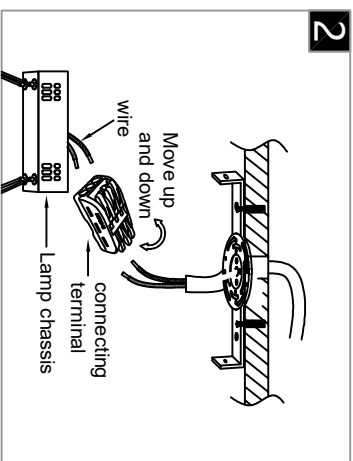
Product style diagram

Steps of installation



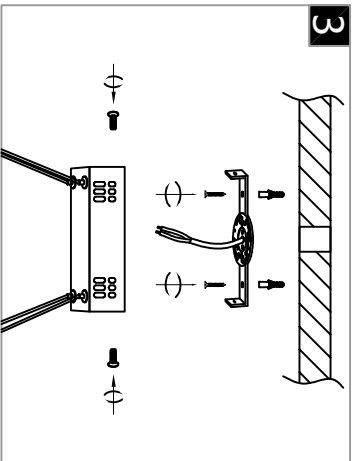
1

Fix the installation plate to the ceiling.



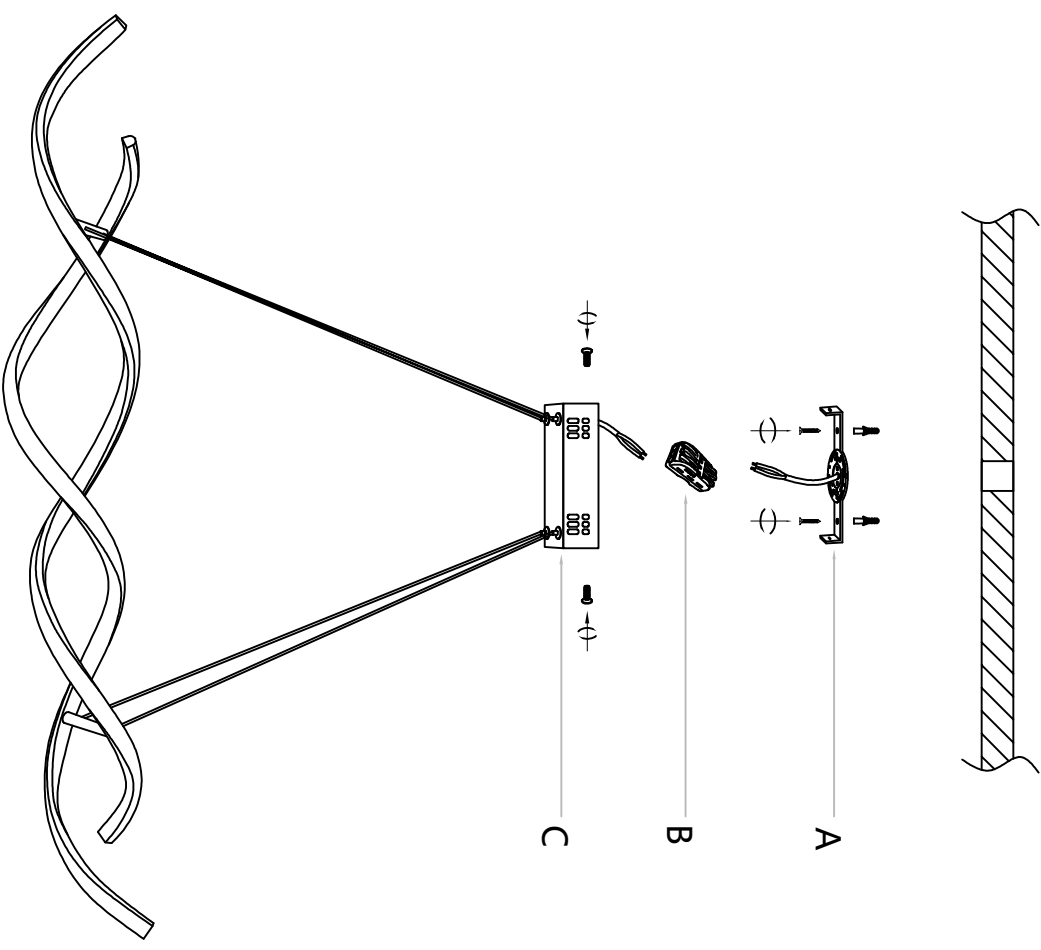
2

Connect the wires on the top cover to the wires on the ceiling and the terminal block.



3

Align the holes on the top cover with the holes on the installation plate, and tighten the screws.



First, fix the installation plate (A) to the ceiling. Then connect the wires on the top cover (C) to the wires on the ceiling and the terminal block (B). Next, align the holes on the top cover (C) with the holes on the installation plate (A), and tighten the screws.