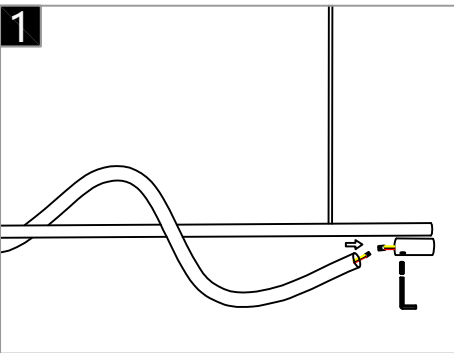
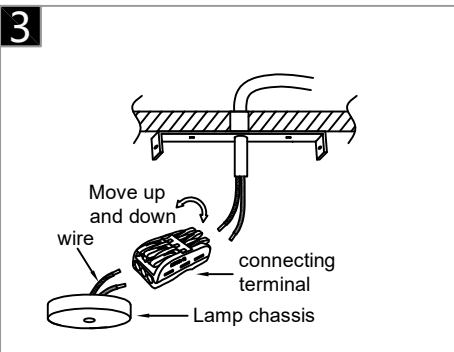


**Warning:**  
This product must be installed by personnel who are familiar with its structure and related hazards, in accordance with the installation specifications. This product is suitable for indoor installation.

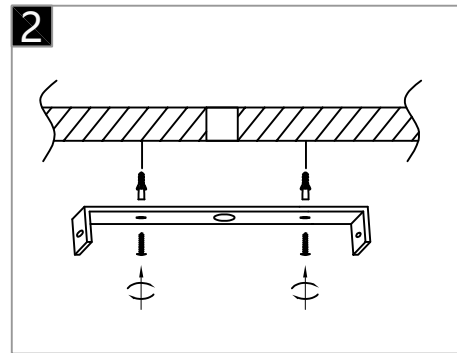
Steps of installation



Insert the wires on the hose into the lamp tube, and then secure them with screws.

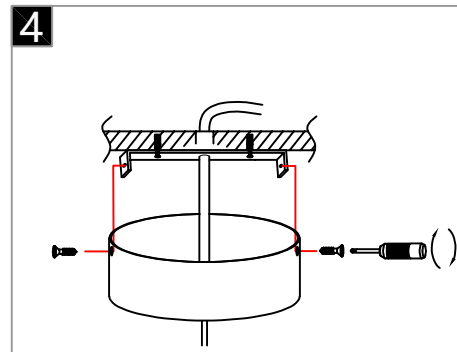


Connect the wires inside the luminaire and ceiling to the terminal, usually neutral wire (white), hot wire (black)

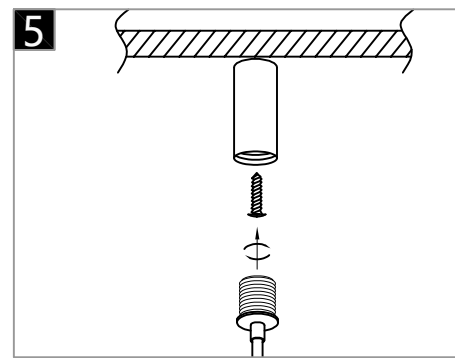


Product style diagram

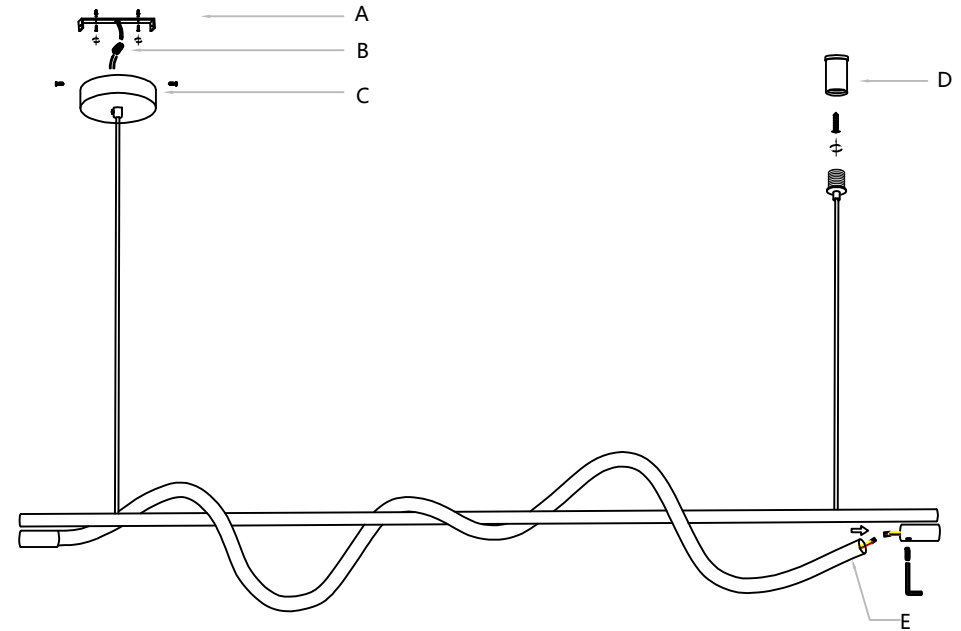
Attach the mounting plate to the ceiling with self-tapping screws.



Align the holes on the top cover with the holes on the mounting plate, and then secure them with screws.



Place the iron pin at the desired Angle, then attach it to the ceiling with self-tapping screws, and then fasten it with locking wire. Screw it on the iron pin.



Insert the wires on the hose (E) into the lamp tube, and then fix them together with screws. Place the nail (D) at the desired angle position, then fix it to the ceiling with self-tapping screws, and finally secure it with the locking wire. Tighten the screws onto the nail (D). Fix the mounting plate (A) to the ceiling. Then, connect the reserved wire (C) for the top cover to the wires and terminals (B) on the ceiling. Next, align the holes on the top cover (C) with the holes on the mounting plate (A), and then tighten the screws.