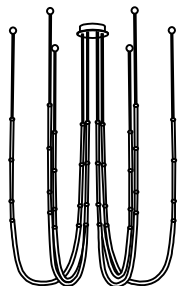


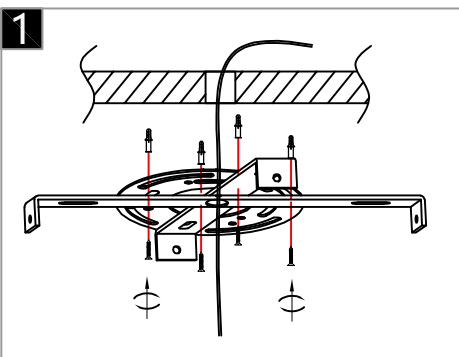
Warning:

This product must be installed by personnel who are familiar with its structure and related hazards, in accordance with the installation specifications. This product is suitable for indoor installation.

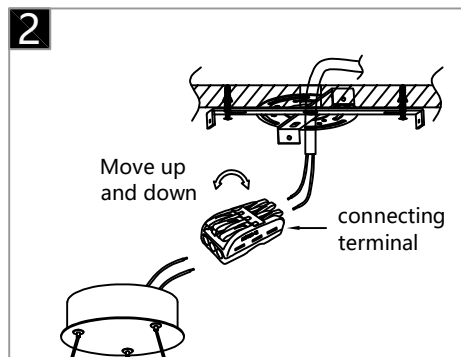


Product style diagram

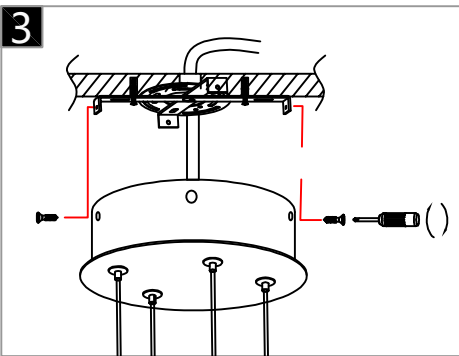
Steps of installation



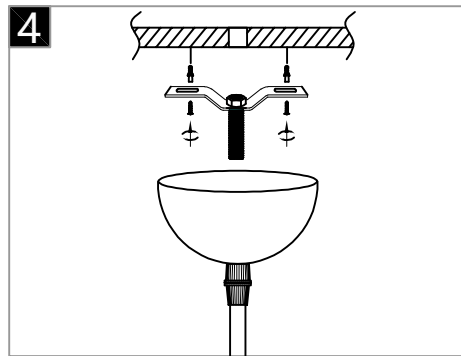
Attach the mounting plate to the ceiling with self-tapping screws.



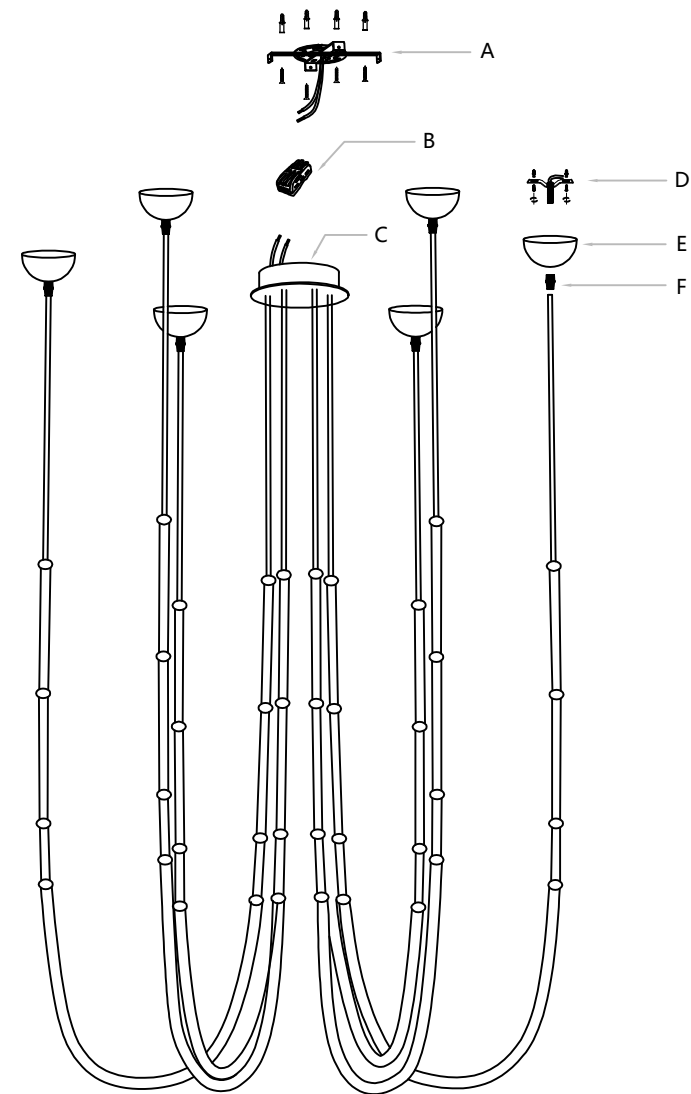
Connect the wires inside the luminaire and ceiling to the terminal, usually neutral wire (white), hot wire (black)



Align the holes on the top cover with the holes on the mounting plate, and then secure them with screws.



Adjust the position of the installation plate bracket, then fix it to the ceiling with self-tapping screws. Next, pass the wires through the locking clips, and use the locking clips to attach the half-round cover to the installation plate bracket.



Adjust the installation plate bracket (D) to the correct position, then fix it to the ceiling using self-tapping screws. Next, pass the wire through the lock wire loop (F), and then use the lock wire loop (F) to fix the semi-circular top cover (E) onto the installation plate bracket (D). Fix the installation plate (A) to the ceiling. Then, connect the reserved wire (C) for the top cover to the wires and terminals (B) on the ceiling. Next, align the holes on the top cover (C) with the holes on the installation plate (A), and then tighten the screws.