

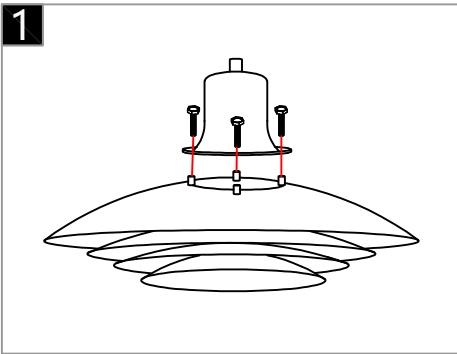
**Warning:**

This product must be installed by personnel who are familiar with its structure and related hazards, in accordance with the installation specifications. This product is suitable for indoor installation.

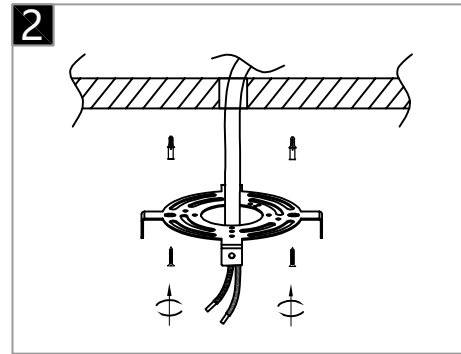


Product style diagram

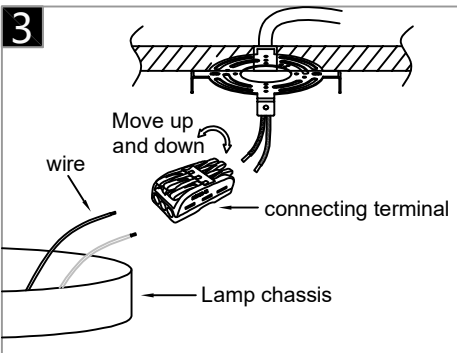
**Steps of installation**



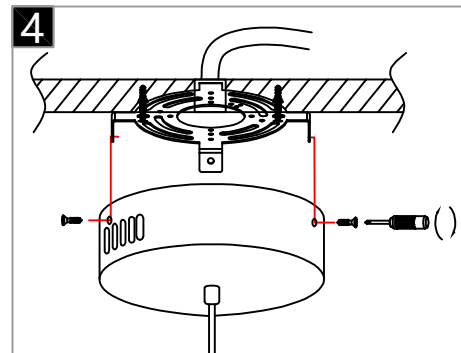
First, install the lampshade onto the lamp head, and then tighten the screws.



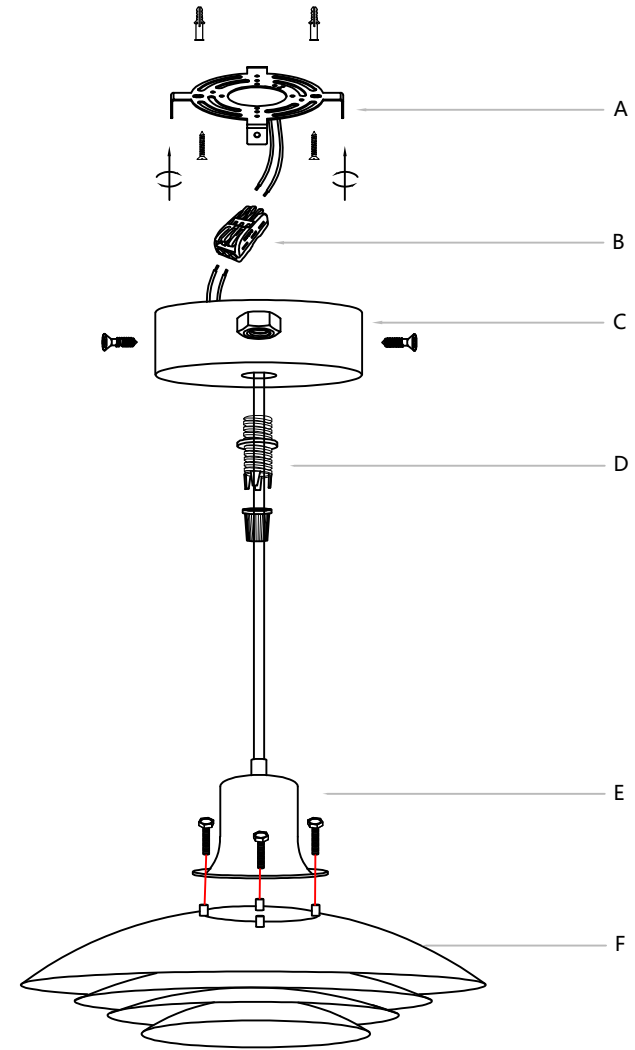
Install the T-shaped bracket onto the main body of the lamp, and then secure it with screws.



Connect the wires inside the luminaire and ceiling to the terminal, usually neutral wire (white), hot wire (black)



Align the two holes on the top cover of the lamp with the holes on the installation plate on the ceiling, and then secure them with screws.



First, install the lampshade (F) onto the lamp base (E), then tighten the screws. Next, thread the wires through the locking clip (D) and insert them into the lamp cover (C). Then, screw the locking clip (D) onto the nut. After that, fix the mounting plate (A) to the ceiling. Then, connect the top cover (C) and the reserved wires on the ceiling to the terminal block (B). Next, align the holes on the top cover (C) with the holes on the mounting plate (A), and then tighten the screws.