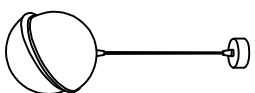


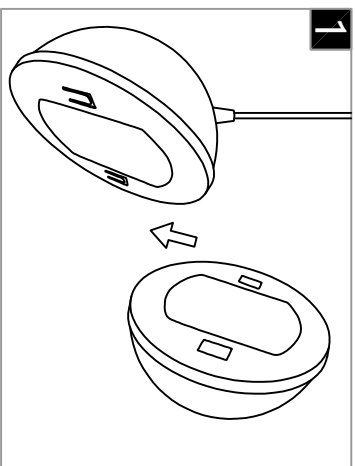
Warning:

This product must be installed by personnel who are familiar with its structure and related hazards. In accordance with the installation specifications. This product is suitable for indoor installation.



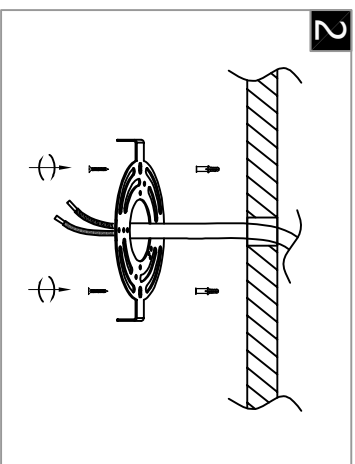
Product style diagram

Steps of installation



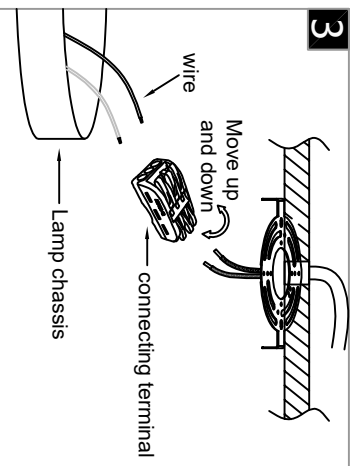
1

Insert the semi-circular lampshade hole position into the semi-circular lampshade hanging plate with the wire attached.



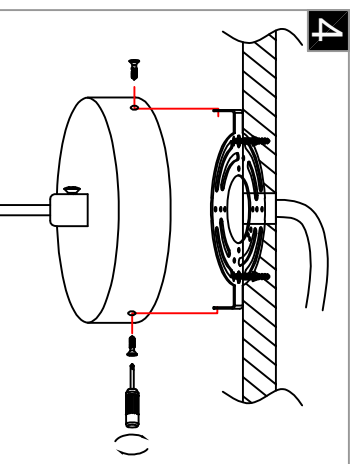
2

Install the T-shaped bracket onto the main body of the lamp, and then secure it with screws.



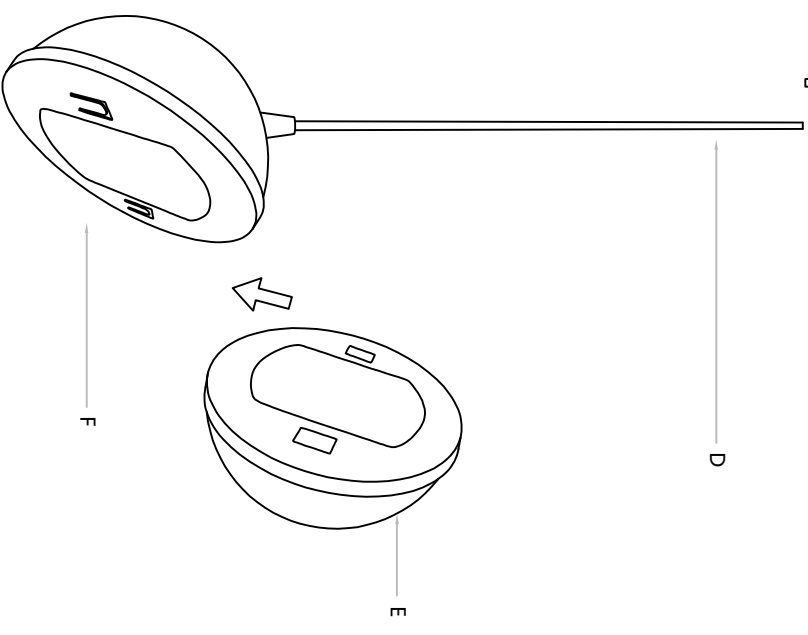
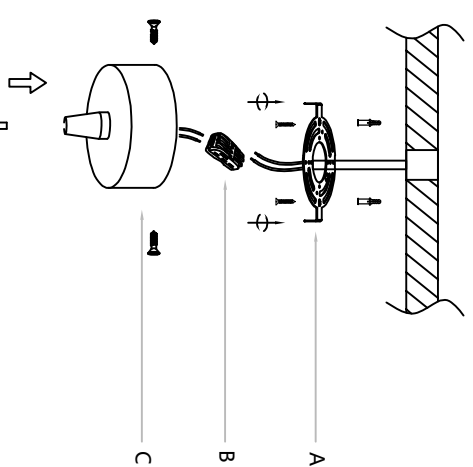
3

Connect the wires inside the luminaire and ceiling to the terminal, usually neutral wire (white), hot wire (black)



4

Align the two holes on the top cover of the lamp with the holes on the installation plate on the ceiling, and then secure them with screws.



First, install the wires (D) on the lamp onto the top cover (C). Then, insert the semi-circular lampshade (E) into the semi-circular lampshade (F) with the wires attached. Next, fix the mounting plate (A) to the ceiling. Now, connect the wires reserved for the top cover (C) to the wires on the ceiling, and then connect it to the terminal (B). Then, align the holes on the top cover (C) with the holes on the mounting plate (A), and tighten the screws.