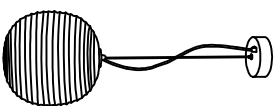


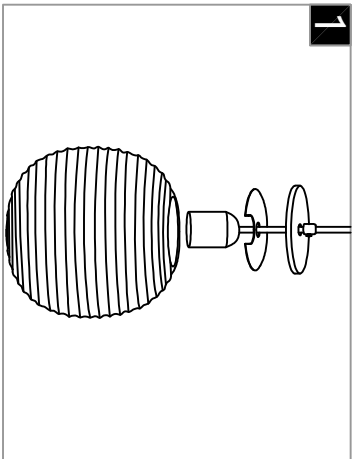
Warning:

This product must be installed by personnel who are familiar with its structure and related hazards, in accordance with the installation specifications. This product is suitable for indoor installation.

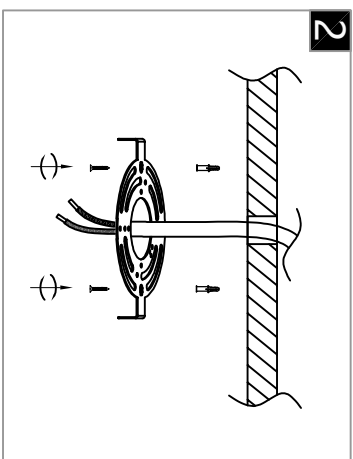


Product style diagram

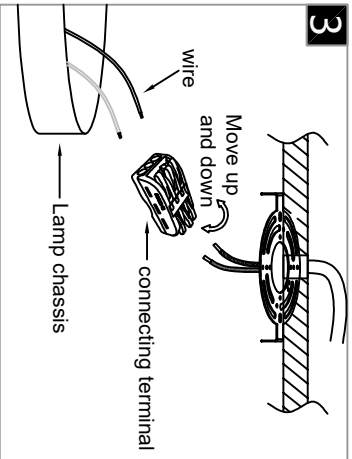
Steps of installation



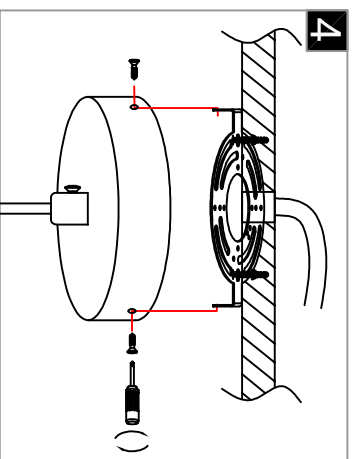
1 Install the glass lampshade onto the lamp head, and then secure it with the locking nut.



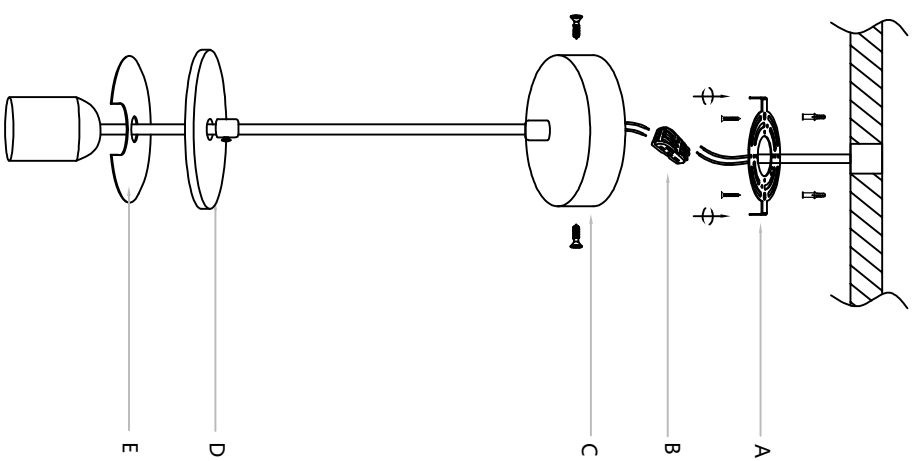
2 Install the T-shaped bracket onto the main body of the lamp, and then secure it with screws.



3 Connect the wires inside the luminaire and ceiling to the terminal, usually neutral wire (white), hot wire (black)



4 Align the two holes on the top cover of the lamp with the holes on the installation plate on the ceiling, and then secure them with screws.



Place the lamp cap (B) and the lamp base inside the glass lampshade (F), then seal the glass lampshade (F) with the circular piece (D), and then tighten the lock wire nut. Next, fix the mounting plate (A) to the ceiling. Then connect the wire (C) reserved for the top cover to the wire on the ceiling and to the terminal block (B). Next, align the hole on the top cover (C) with the hole on the mounting plate (A), and finally tighten the screws.