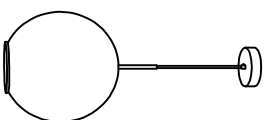
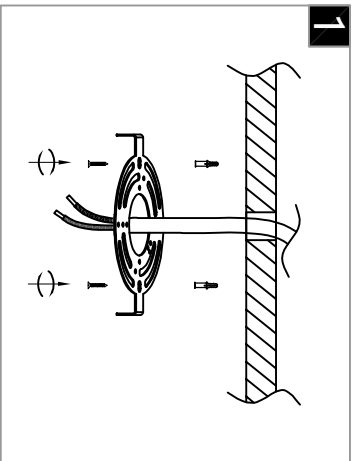


Warning:
This product must be installed by personnel who are familiar with its structure and related hazards, in accordance with the installation specifications. This product is suitable for indoor installation.

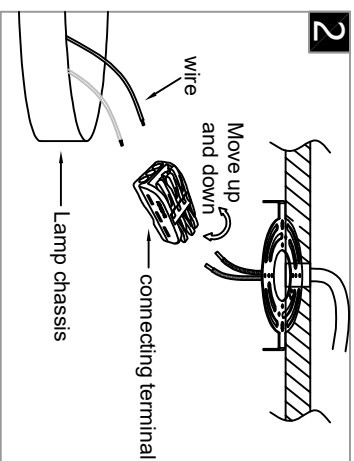


Product style diagram

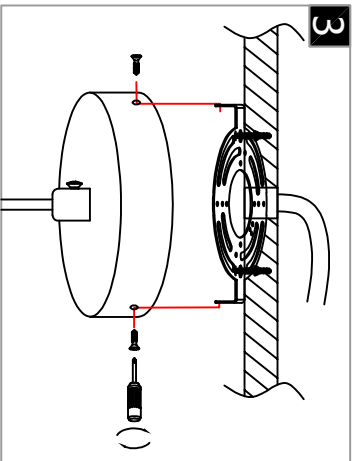
Steps of installation



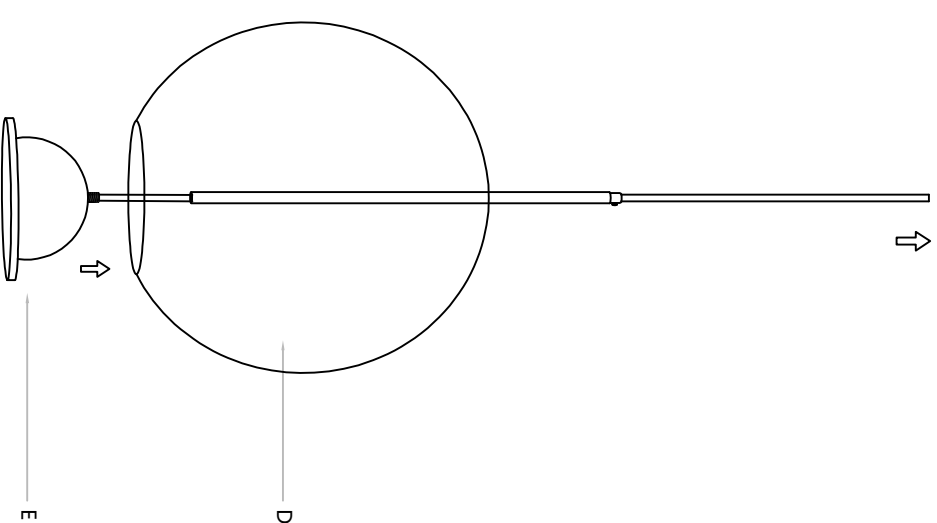
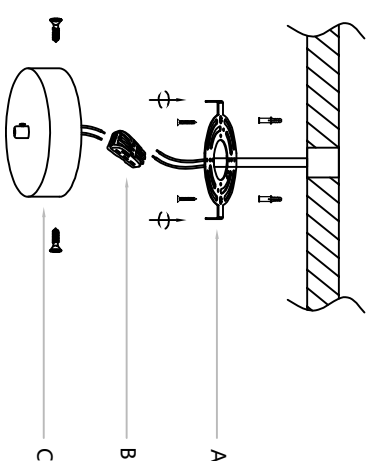
1
Install the T-shaped bracket onto the main body of the lamp, and then secure it with screws.



2
Connect the wires inside the luminaire and ceiling to the terminal, usually neutral wire (white), hot wire (black)



3
Align the two holes on the top cover of the lamp with the holes on the installation plate on the ceiling, and then secure them with screws.



Pass the lamp head wire (E) through the glass cover (D) and insert it onto the top cover (C). Then, fix the connecting rod onto the lamp head (E), and secure the installation plate (A) to the ceiling. Next connect the reserved wires for the top cover (C) to the wires on the ceiling, and then connect them to the terminal block (B). Afterwards, align the holes on the top cover (C) with the holes on the installation plate (A), tighten the screws.