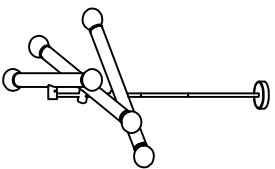
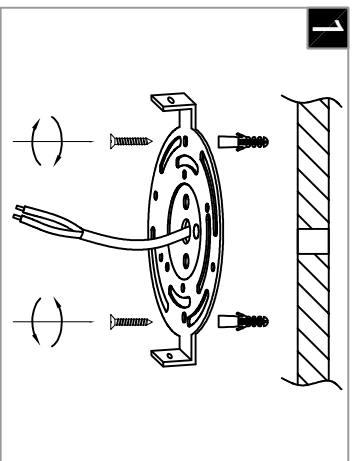


Warning:
This product must be installed by personnel who are familiar with its structure and related hazards, in accordance with the installation specifications. This product is suitable for indoor installation.

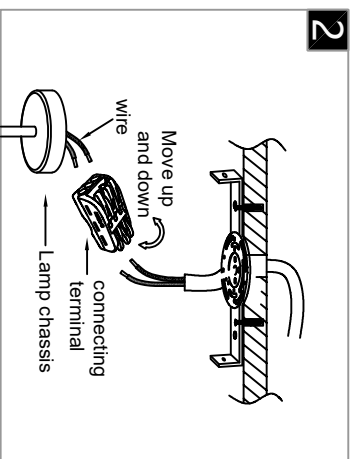


Product style diagram

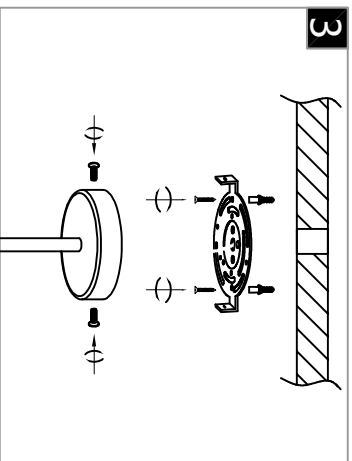
Steps of installation



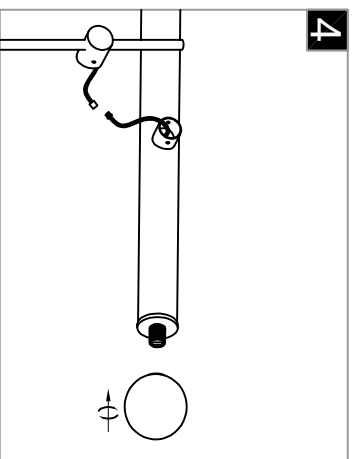
Fix the installation plate to the ceiling.



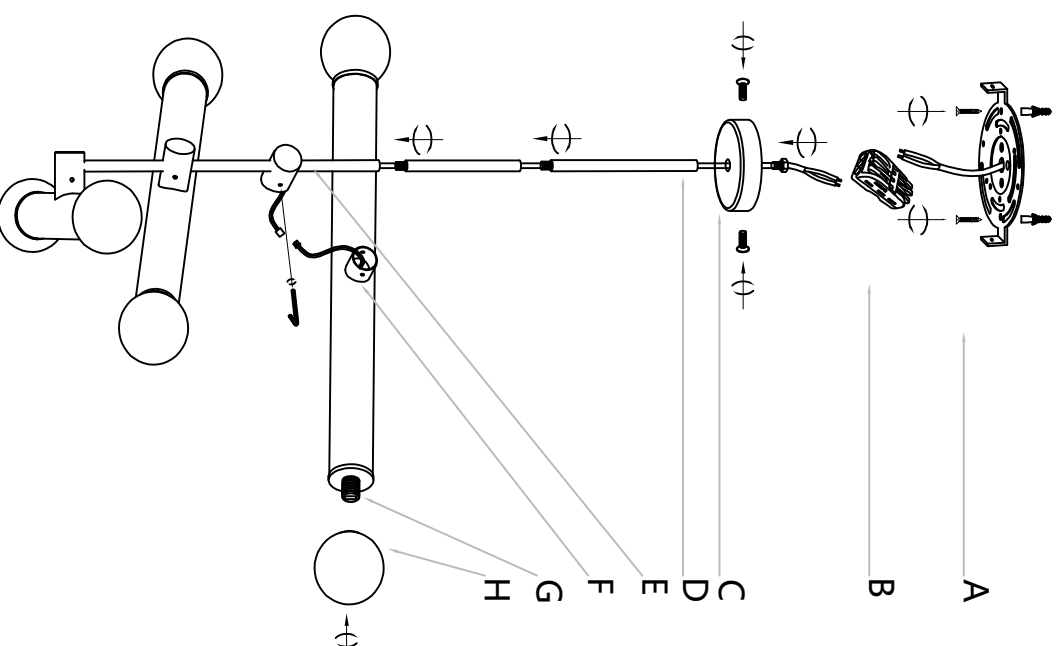
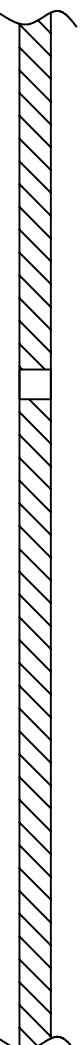
Connect the wires on the top cover to the wires on the ceiling and the terminal block.



Align the holes on the top cover with the holes on the installation plate, and tighten the screws.



Install the cylinder onto the lamp body, then install the bulb onto the lamp base, and finally tighten the lampshade.



First, install the lamp pole (D) onto the lamp body (B), then attach the top cover (C) to the lamp pole (D). Next, install the cylinder (F) onto the lamp body (E), then install the bulb onto the lamp base (G), and finally tighten the lampshade (H). Then, fix the mounting plate (A) to the wall. Next, connect the wires of the top cover (C) to the wires on the wall through the terminal block (B). Then, align the holes of the top cover (C) with those of the mounting plate (A), and tighten the screws.