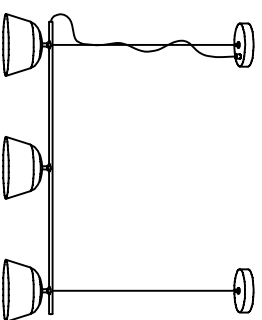


Installation Instructions

WOWO®

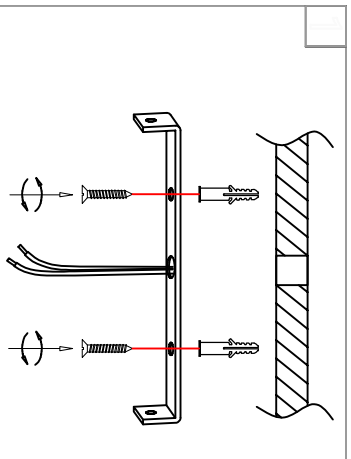
Model number: WM2669

Warning:
This product must be installed by personnel who are familiar with its structure and related hazards, in accordance with the installation specifications. This product is suitable for indoor installation.

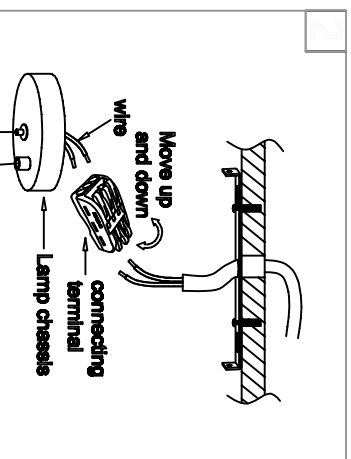


Product style diagram

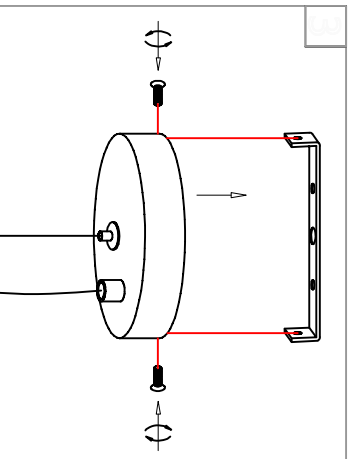
Steps of installation



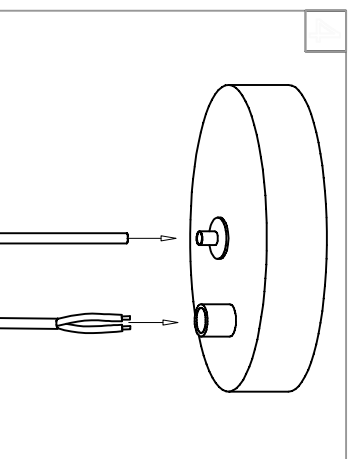
Install the mounting plate onto the ceiling.



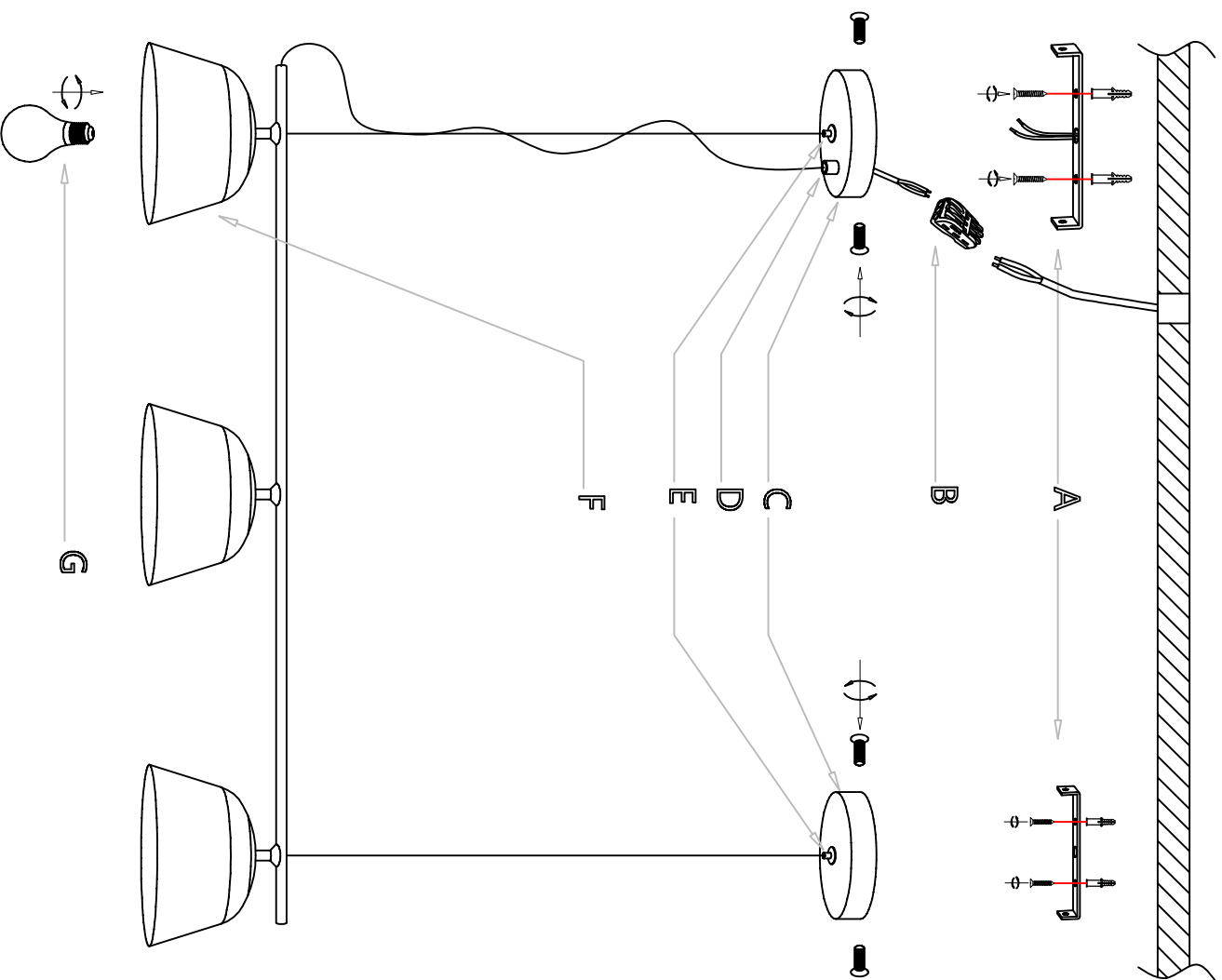
Use the quick connector to connect the wires on the disc to the wires on the ceiling.



Align the holes on the disc with the holes on the mounting plate, and tighten the screws.



Pass the wires and steel wires through the fixers and of the disc, adjust the length and then tighten the screws.



First, pass the wires and steel wires through the fixers (D) and (E) of the disc (C), adjust the length, and then tighten the screws. Next, fix the mounting plate (A) to the ceiling. Then, use the quick connector (B) to connect the wires on the disc (C) to the wires on the ceiling. Then, align the holes on the disc (C) with the holes on the mounting plate (A), and tighten the screws. Afterwards, install the light bulb (G) onto the lamp head inside the lampshade (F).