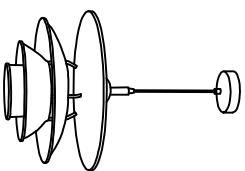


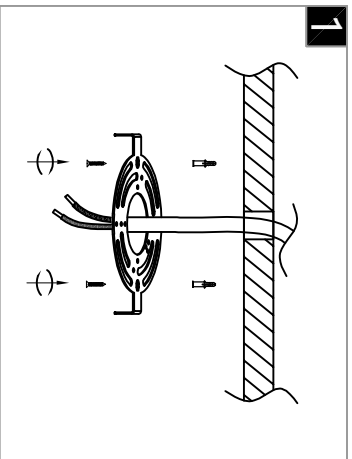
Warning:

This product must be installed by personnel who are familiar with its structure and related hazards, in accordance with the installation specifications. This product is suitable for indoor installation.

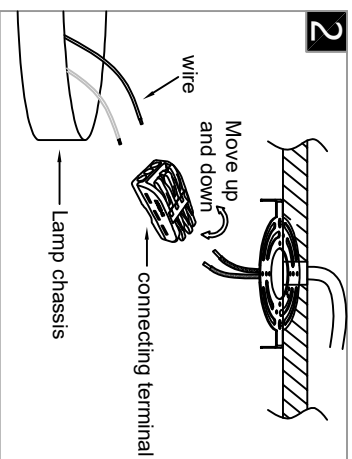


Product style diagram

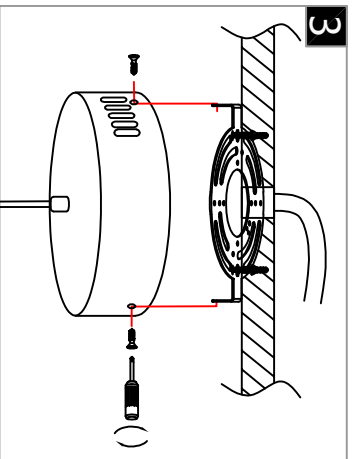
Steps of installation



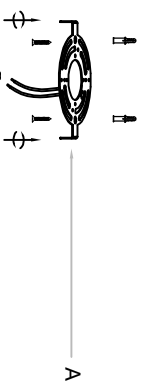
Install the T-shaped bracket onto the main body of the lamp, and then secure it with screws.



Connect the wires inside the luminaire and ceiling to the terminal, usually neutral wire (white), hot wire (black)



Align the two holes on the top cover of the lamp with the holes on the installation plate on the ceiling, and then secure them with screws.



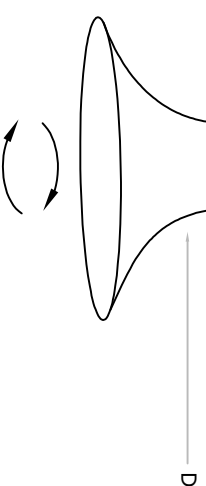
A



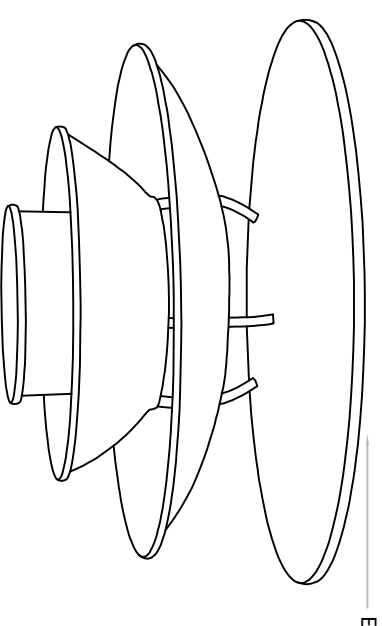
B



C



D



E

First, turn the upper cover (D) of the lamp body clockwise onto the lower lamp body (E). Fix the mounting plate (A) to the ceiling. Next, connect the wires reserved for the top cover (C) to the wiring terminal (B) on the ceiling. Then align the holes on the top cover (C) with the holes on the mounting plate (A), and tighten the screws.