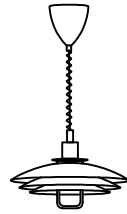
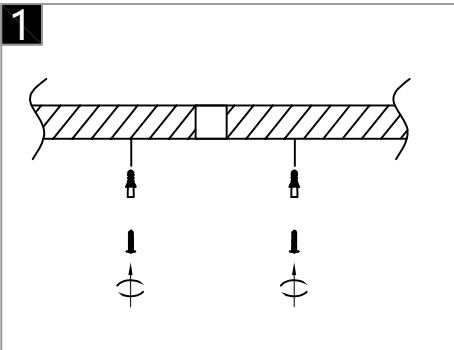


Warning:
This product must be installed by personnel who are familiar with its structure and related hazards, in accordance with the installation specifications. This product is suitable for indoor installation.

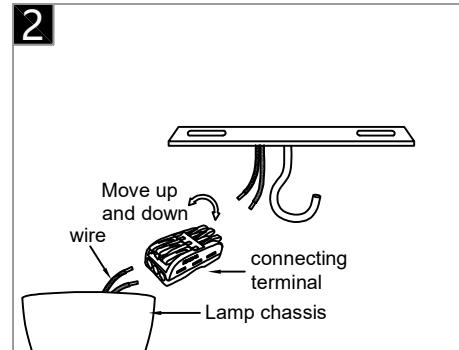


Product style diagram

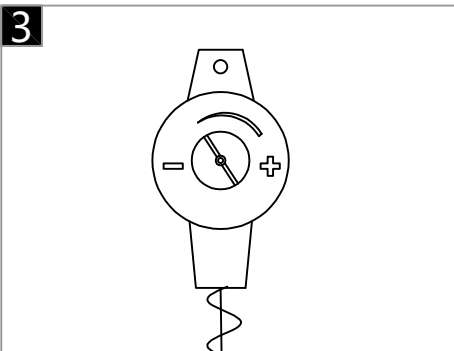
Steps of installation



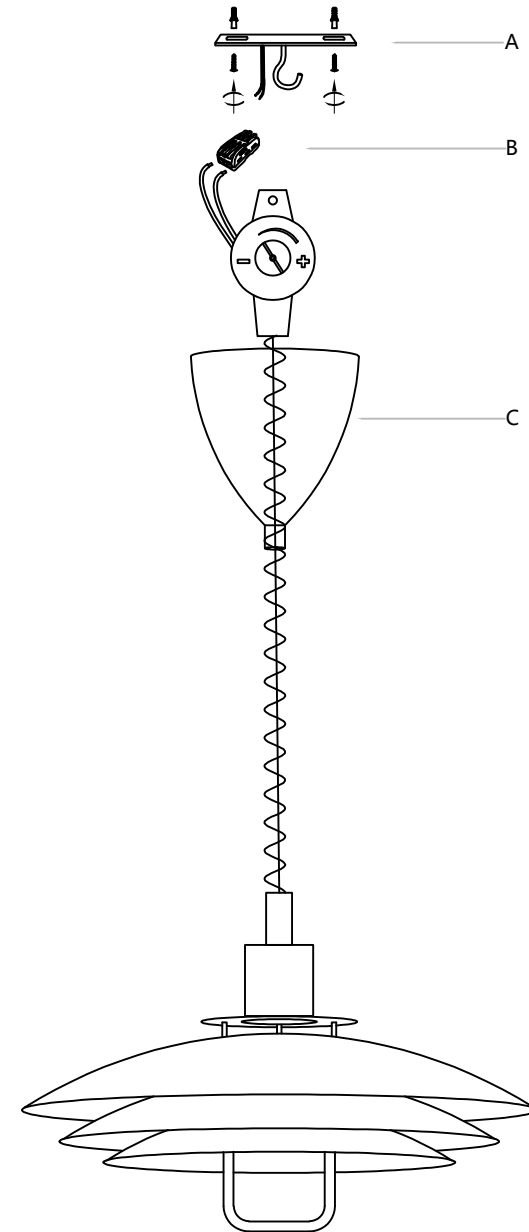
Attach the mounting plate to the ceiling with self-tapping screws.



Connect the wires inside the luminaire and ceiling to the terminal, usually neutral wire (white), hot wire (black)



Turn the button on the regulator to extend or retract the hanging line.



Fix the mounting plate (A) to the ceiling. Next, connect the wires reserved for the top cover (C) to the wiring terminal (B) on the ceiling. Then align the holes on the top cover (C) with the holes on the mounting plate (A), and tighten the screws.