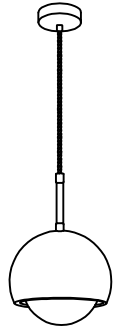
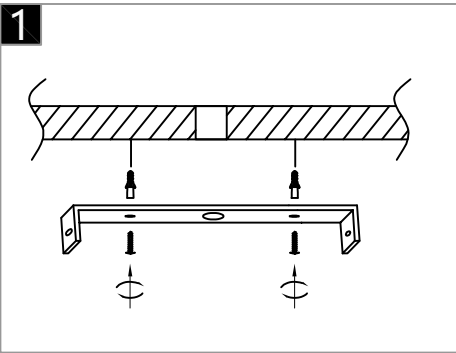


Warning:
This product must be installed by personnel who are familiar with its structure and related hazards, in accordance with the installation specifications. This product is suitable for indoor installation.

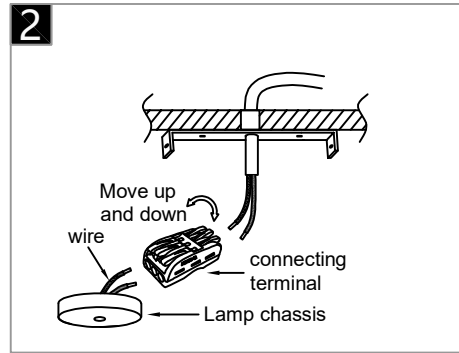


Product style diagram

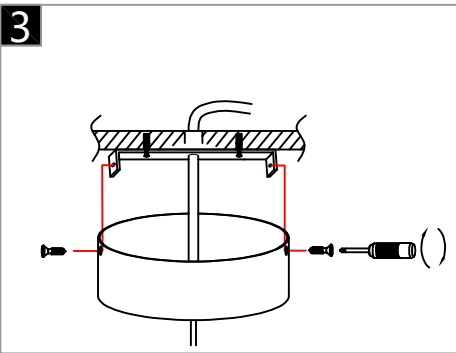
Steps of installation



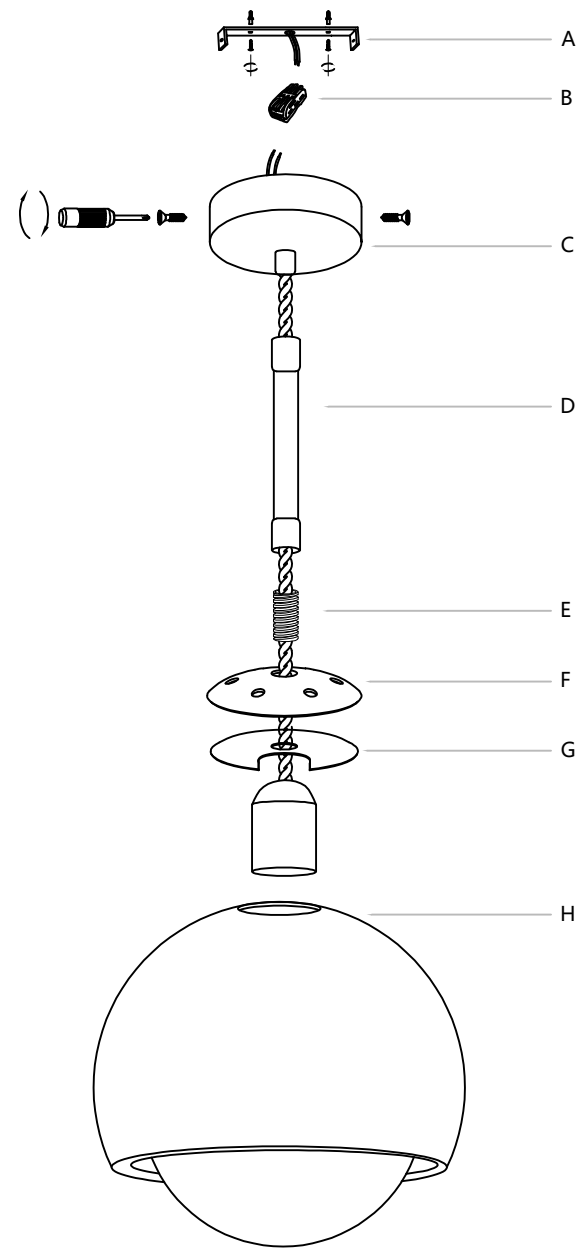
Attach the mounting plate to the ceiling with self-tapping screws.



Connect the wires inside the luminaire and ceiling to the terminal, usually neutral wire (white), hot wire (black)



Align the holes on the top cover with the holes on the mounting plate, and then secure them with screws.



First pass the wires through all fittings in sequence, then put the U-shaped plate (G) into the glass cover (H), then put in with the lamp cap (F), then reserve the tooth rod (E) on the lamp cap to connect with the thread rod (D), then fix the mounting plate (A) to the ceiling, Then connect the wire reserved for the top cover (C) and the wire on the ceiling to the terminal (B), and then align the hole on the side of the top cover (C) with the hole on the mounting plate (A), and then tighten the screws