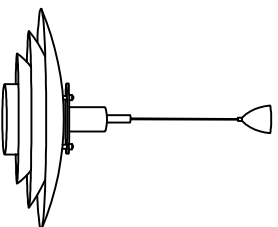
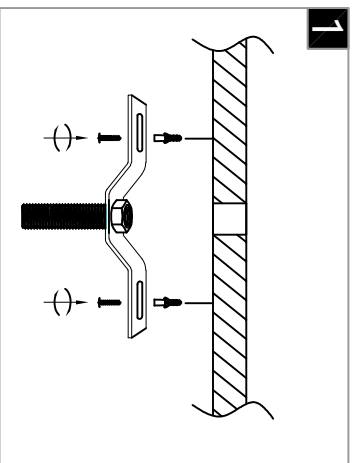


Warning:

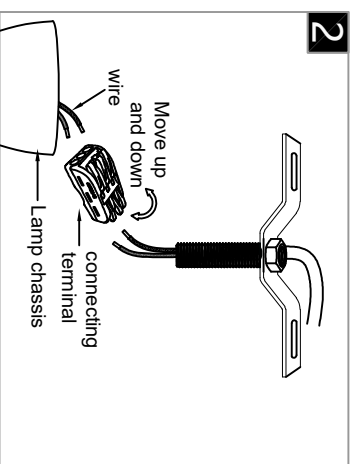
This product must be installed by personnel who are familiar with its structure and related hazards, in accordance with the installation specifications. This product is suitable for indoor installation.



Steps of installation

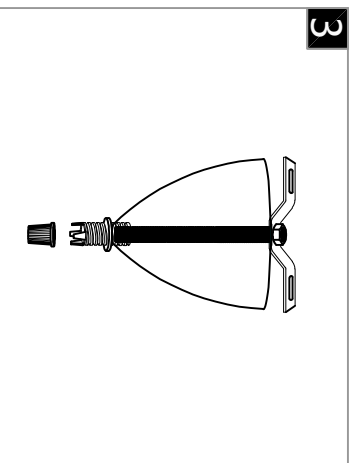


Attach the mounting plate to the ceiling with self-tapping screws.

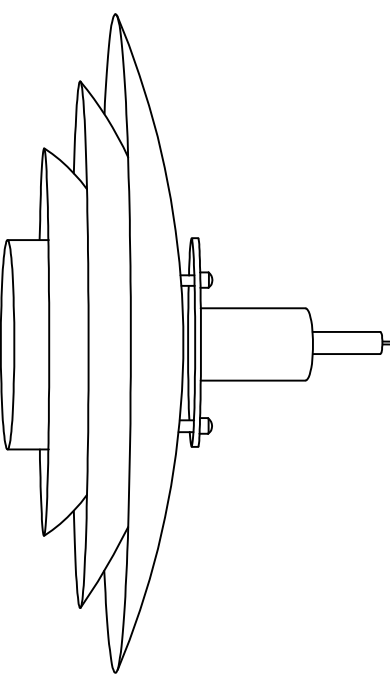
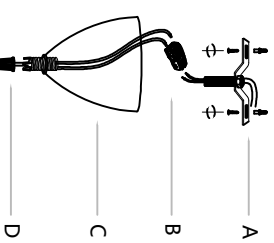


Connect the wires inside the luminaire and ceiling to the terminal, usually neutral wire (white), hot wire (black)

Product style diagram



First, loosen the lockline buckle, then lift the top cover up to the ceiling, and finally tighten the lockline buckle.



First, loosen the lock wire buckle (D), then pass the wire through and insert it into the top cover (C).

Next, drive the mounting plate (B) into the ceiling. Then, connect the reserved wires on the ceiling and the top cover (C) to the terminal block (B). It is best to lift the top cover (C) onto the ceiling, and then tighten the lock wire buckle (D).