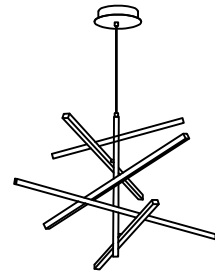
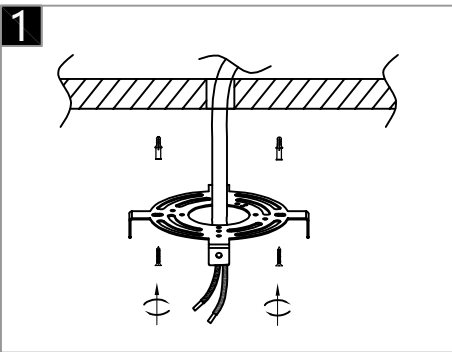


**Warning:**  
 This product must be installed by personnel who are familiar with its structure and related hazards, in accordance with the installation specifications. This product is suitable for indoor installation.

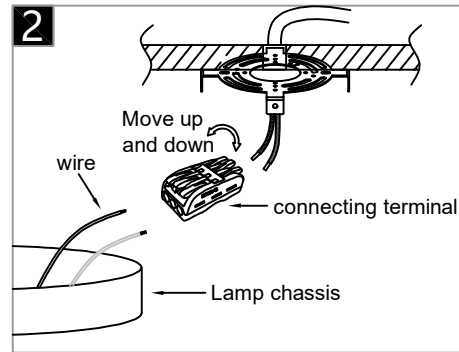


Product style diagram

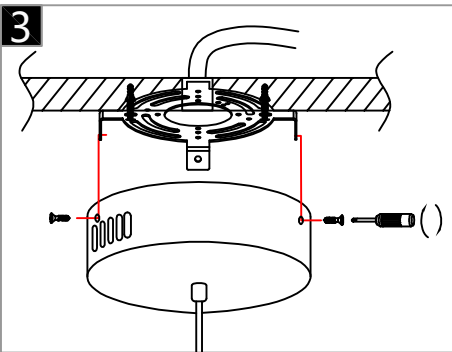
Steps of installation



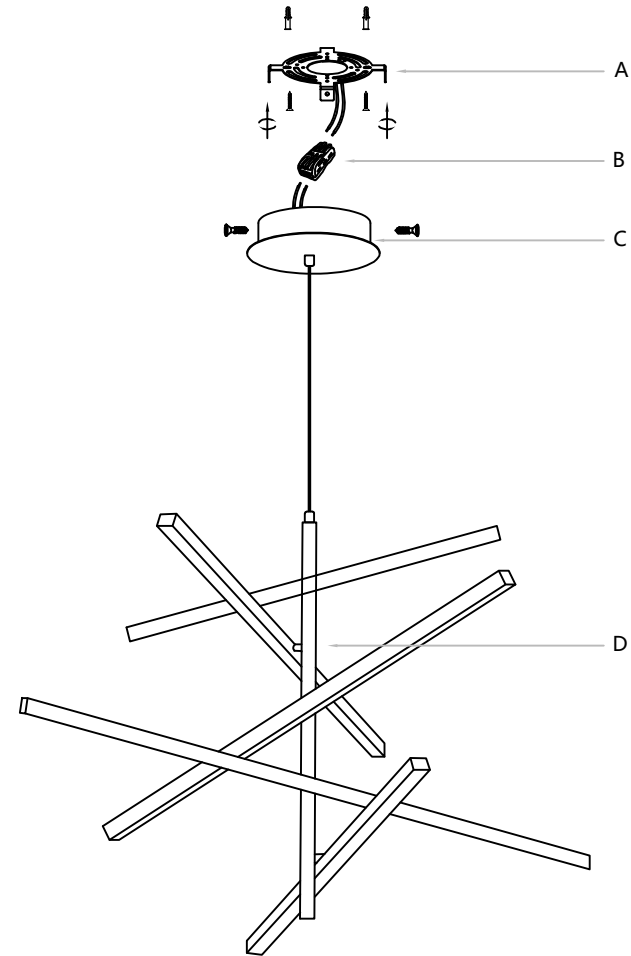
Install the T-shaped bracket onto the main body of the lamp, and then secure it with screws.



Connect the wires inside the luminaire and ceiling to the terminal, usually neutral wire (white), hot wire (black)



Align the two holes on the top cover of the lamp with the holes on the installation plate on the ceiling, and then secure them with screws.



Then fix the mounting plate (A) to the ceiling, and then connect the wires reserved for the top cover (C) and the wires on the ceiling to the terminal (B), and then align the hole on the side of the top cover (C) with the hole on the mounting plate (A), and then tighten the screws, and then rotate the lamp body (D) out of the ideal Angle