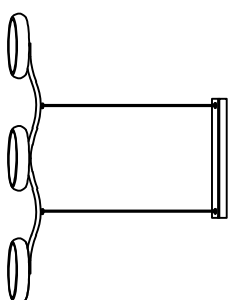


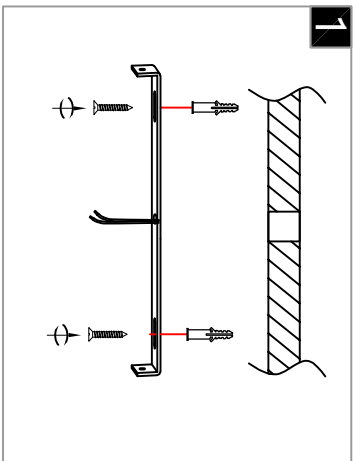
Warning:

This product must be installed by personnel who are familiar with its structure and related hazards, in accordance with the installation specifications. This product is suitable for indoor installation.

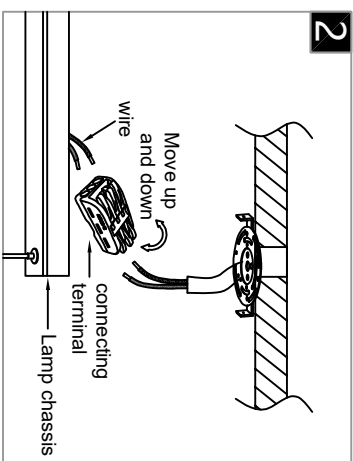


Product style diagram

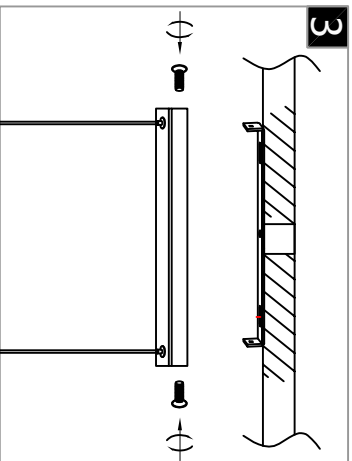
Steps of installation



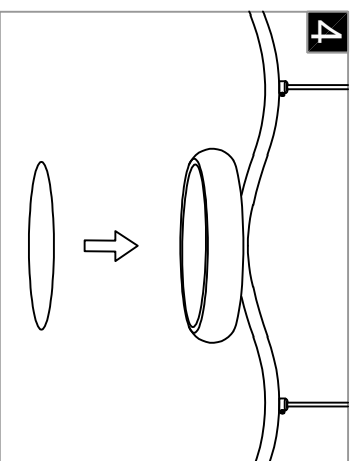
First, attach the mounting plate to the ceiling.



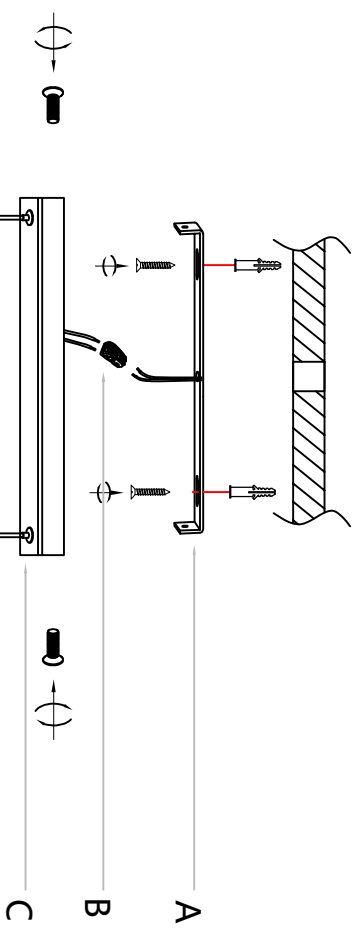
Then, connect the wires of the top cover and the wires of the ceiling using the terminal block.



Then, align the holes of the top cover with those of the mounting plate, and tighten the screws.



Then, install the lampshade (E) onto the lamp body.



First, attach the mounting plate (A) to the ceiling. Then, connect the wires of the top cover (C) and the wires of the ceiling using the terminal block (B). Then, align the holes of the top cover (C) with those of the mounting plate (A), and tighten the screws (D). Then, install the lampshade (E) onto the lamp body (D).

