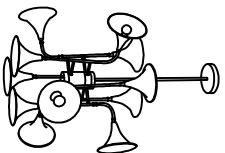


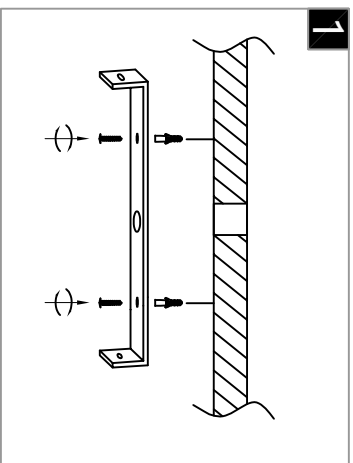
Warning:

This product must be installed by personnel who are familiar with its structure and related hazards, in accordance with the installation specifications. This product is suitable for indoor installation.

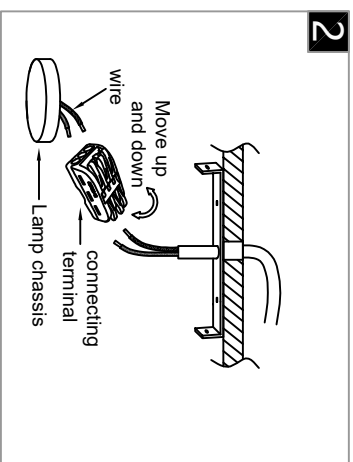


Product style diagram

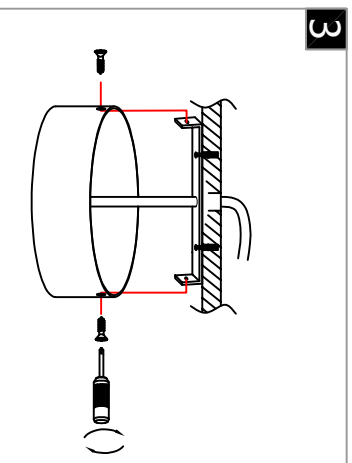
Steps of installation



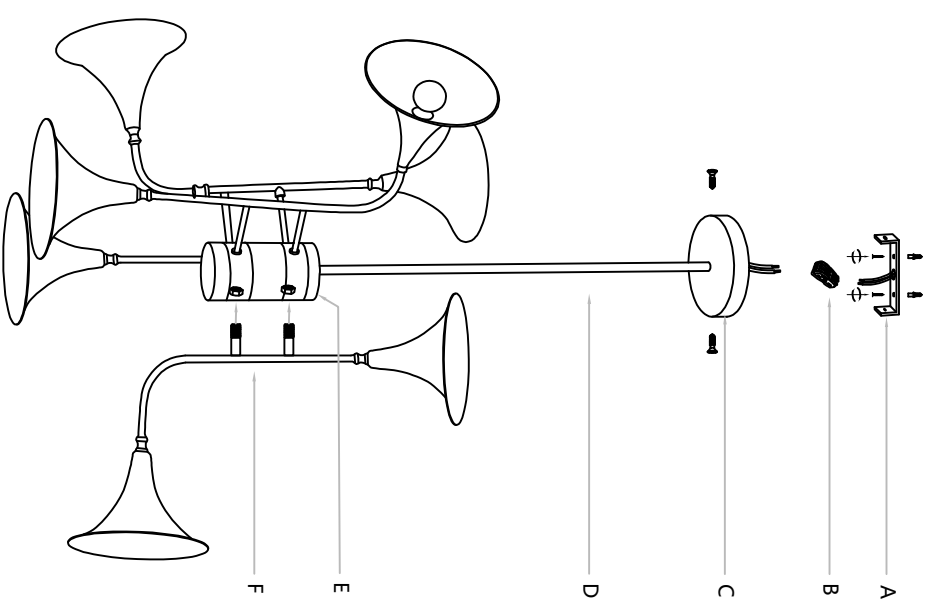
1 Attach the mounting plate to the ceiling with self-tapping screws.



2 Connect the wires inside the luminaire and ceiling to the terminal, usually neutral wire (white) hot wire (black)



3 Align the holes on the top cover with the holes on the mounting plate, and then secure them with screws.



First, install the lamp arm (F) on the lamp body box (E) with one end facing up and the other end facing down. Then, attach the connecting rod (D) to the lamp body (E) and the top cover (C). Fix the installation plate (B) to the ceiling using expansion screws (A). Next, connect the wires reserved for the top cover (D) to the wires on the ceiling, and then connect them to the terminal (C). Then, align the holes on the top cover (D) with the holes on the installation plate (B), and tighten the screws.