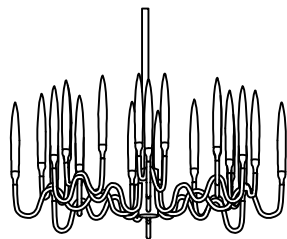
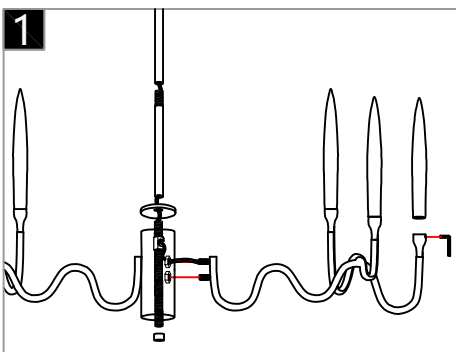


**Warning:**  
This product must be installed by personnel who are familiar with its structure and related hazards, in accordance with the installation specifications. This product is suitable for indoor installation.

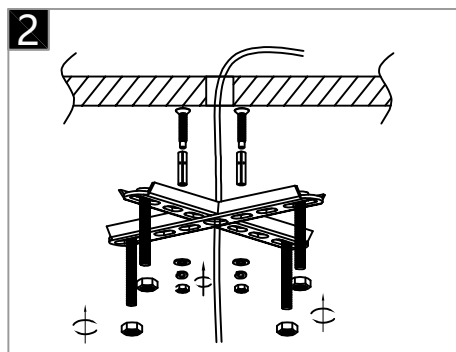


Product style diagram

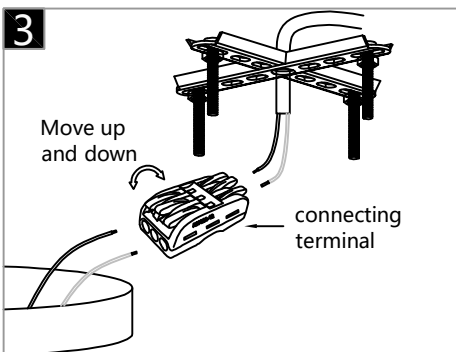
Steps of installation



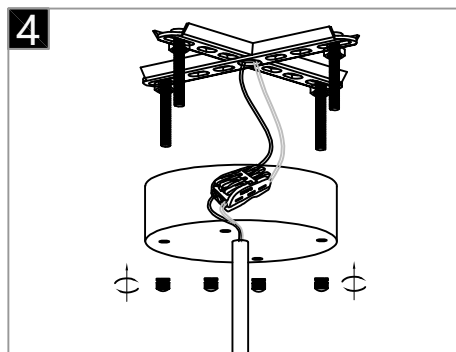
Install the lamp arm bracket onto the lamp body box, then connect the wires by color and pass them through the connecting rod to place on the top cover. Then install the glass rod onto the direct part of the lamp arm.



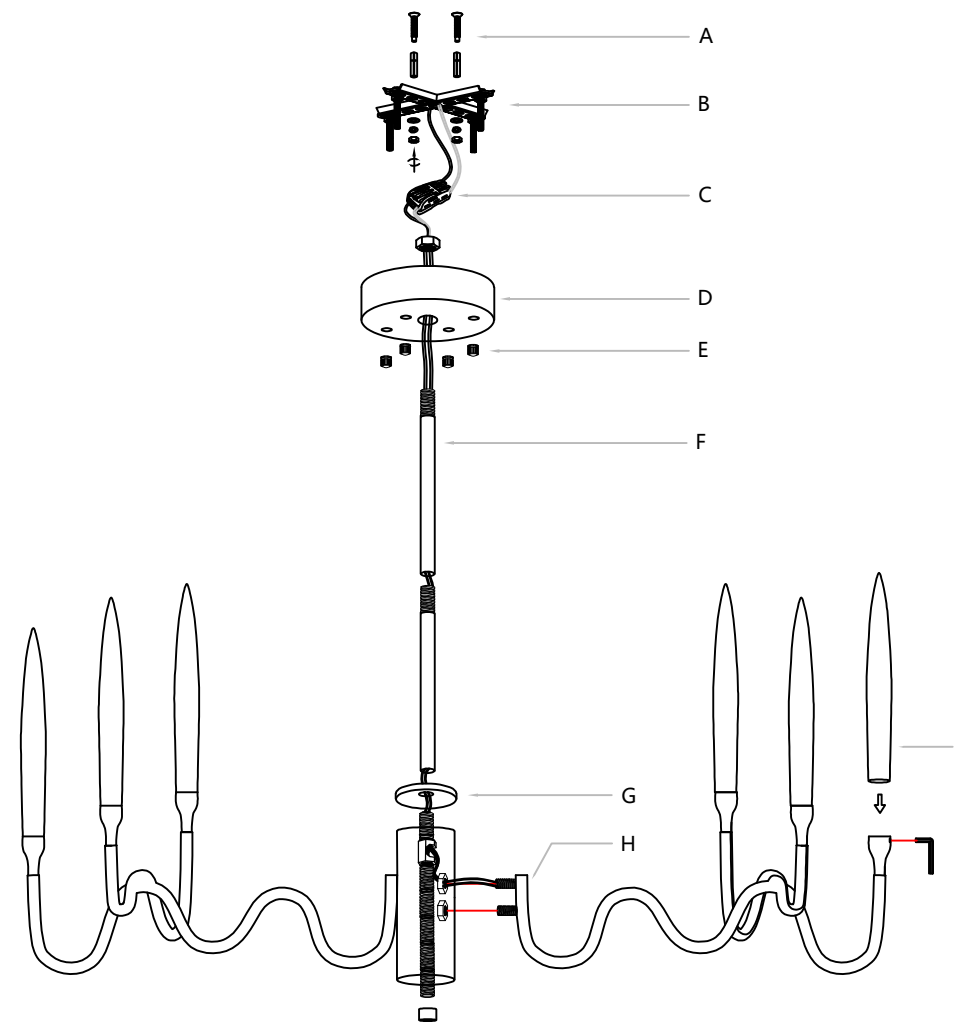
First, fix the expansion screws onto the ceiling, and then lock the mounting plate onto the screws.



Connect the wires inside the luminaire and ceiling to the terminal, usually neutral wire (white), hot wire (black)



Align the holes on the canopy with the screws on the mounting plate, and then use the wing nut to secure it from the bottom.



First, install the lamp arm bracket (H) onto the lamp body box. Then, connect the wires inside according to their colors and pass them through the connecting rod (F) and insert them into the top cover (D). Next, cover the lamp body lid (G). Then, assemble the connecting rod (F) and fix them onto the top cover (D). Attach the iron nail (A) to the iron pin and drive it into the ceiling. Then, fix the mounting plate (B) onto the iron nail (A) on the ceiling. Then, connect the reserved wires on the top cover (D) and the ceiling to the terminal block (C). Next, fix the top cover (D) onto the mounting plate (B). Finally, tighten the flower-shaped nut (E) from the bottom of the top cover (D).