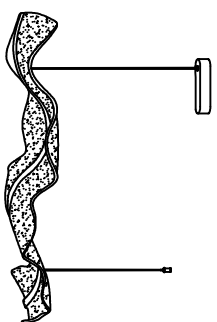


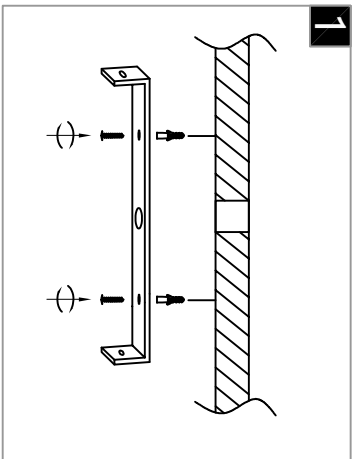
Warning:

This product must be installed by personnel who are familiar with its structure and related hazards, in accordance with the installation specifications. This product is suitable for indoor installation.

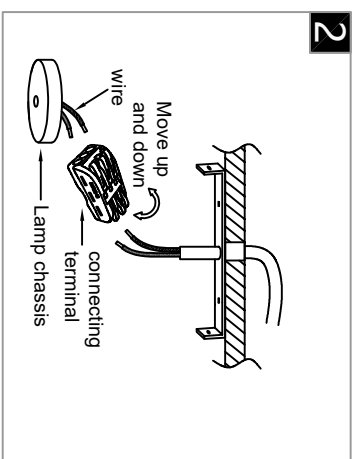


Product style diagram

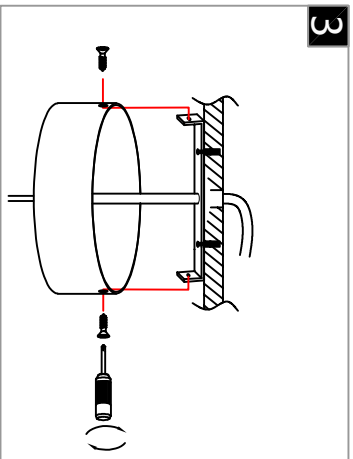
Steps of installation



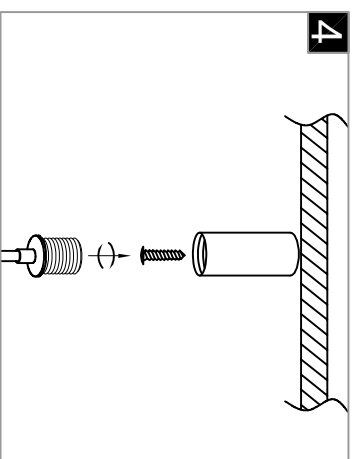
Attach the mounting plate to the ceiling with self-tapping screws.



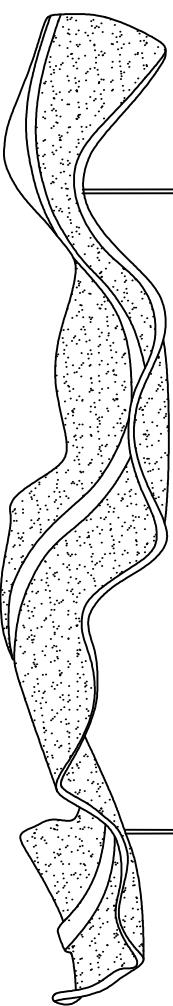
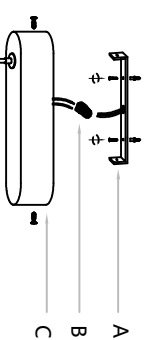
Connect the wires inside the luminaire and ceiling to the terminal, usually neutral wire (white), hot wire (black)



Align the holes on the top cover with the holes on the mounting plate, and then secure them with screws.



Place the iron pin at the desired Angle, then attach it to the ceiling with self-tapping screws, and then fasten it with locking wire Screw it on the iron pin.



Place the iron nail (D) at the desired angle position, then fix it to the ceiling using a self-tapping screw, and then secure it with a locking line. Tighten the screw onto the iron nail (D). Fix the mounting plate (A) to the ceiling. Then, connect the wire (C) reserved for the top cover to the wire on the ceiling and the terminal (B). Next, align the holes on the top cover (C) with the holes on the mounting plate (A), and then tighten the screws.