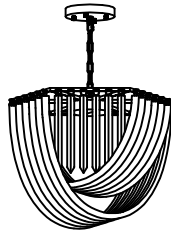
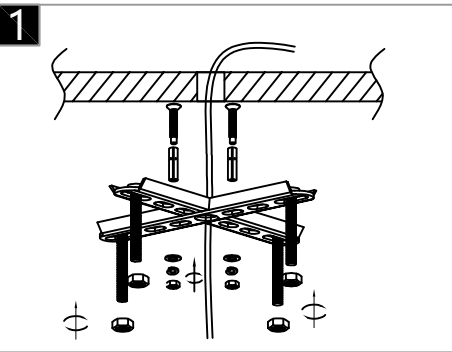


Warning:
This product must be installed by personnel who are familiar with its structure and related hazards, in accordance with the installation specifications. This product is suitable for indoor installation.

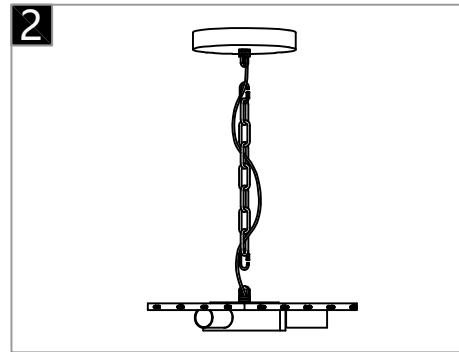


Product style diagram

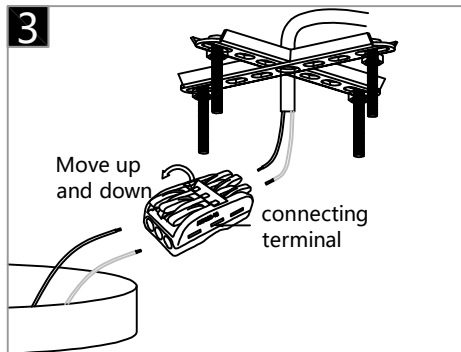
Steps of installation



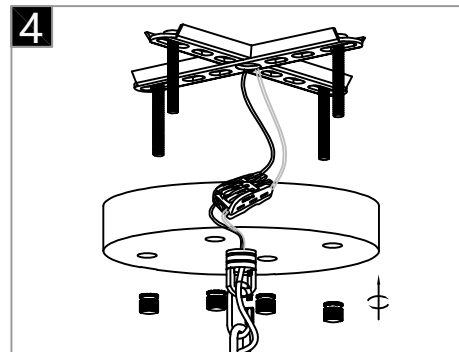
First, fix the expansion screws onto the ceiling, and then lock the mounting plate onto the screws.



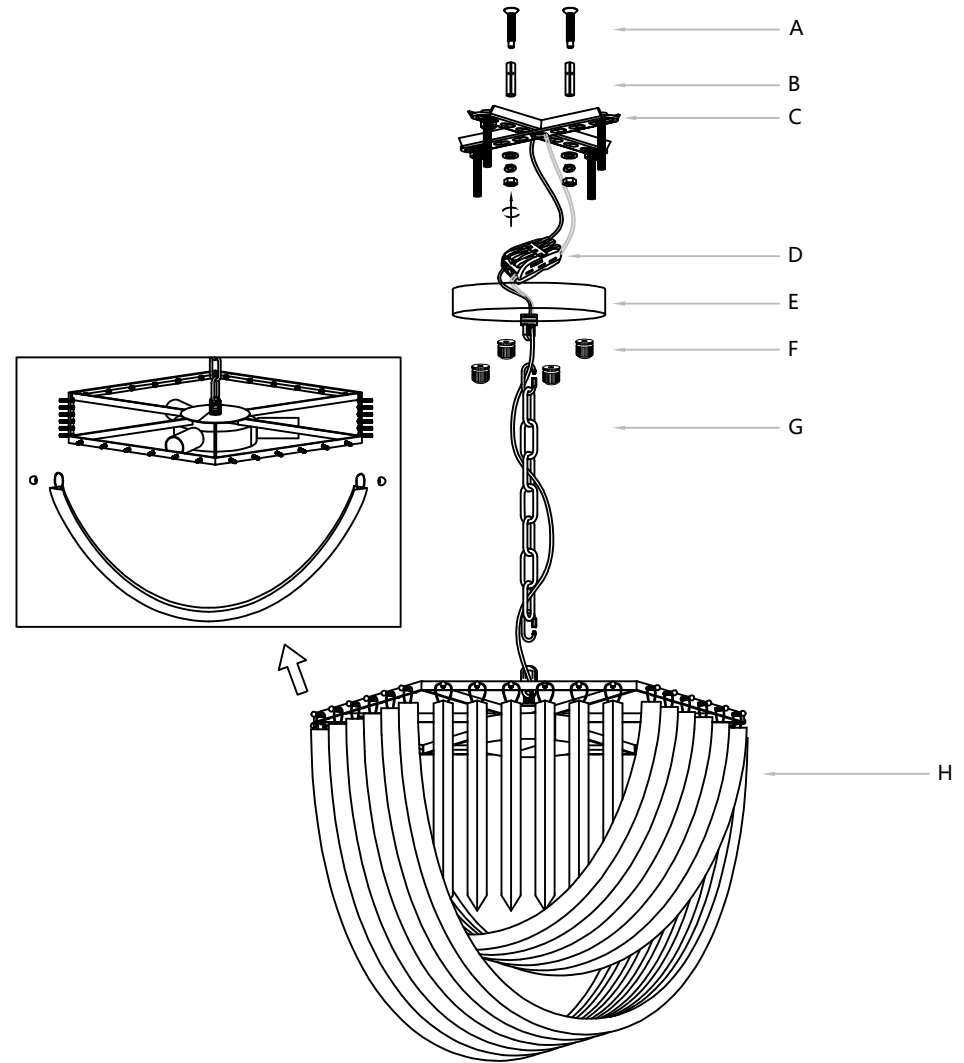
Loosen the hanging ring on the chain and then buckle it on the top cover, put on the velvet belt, pass the wire on the lamp body through the hanging chain and connect it to the top cover, and attach the other end of the hanging chain to the main body of the lamp.



Connect the wires inside the luminaire and ceiling to the terminal, usually neutral wire (white), hot wire (black)



Align the top cover hole position on the luminaire with the screws on the mounting plate and then secure from the bottom using the nut.



First, install the chain (G) onto the lamp body and lamp cover (E). Then, insert the locating pin (B) on the expansion screw into the screw (A) and fix it on the ceiling. Next, align the holes on the mounting plate (C) with the screws and fix them with nuts. Then, connect the wires on the lamp body to the wiring terminals (D) and connect the wires on the ceiling to them. After that, install the lamp body mounting plate (E) and align the holes with the expansion screw (A). Lock it from the bottom with a nut. Then, put on gloves and install the three types of U-shaped rhombic crystal rods (H) diagonally. Finally, secure them with the head screws.