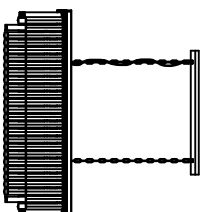
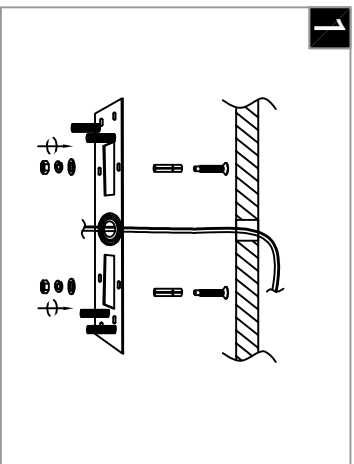


Warning:

This product must be installed by personnel who are familiar with its structure and related hazards, in accordance with the installation specifications. This product is suitable for indoor installation.

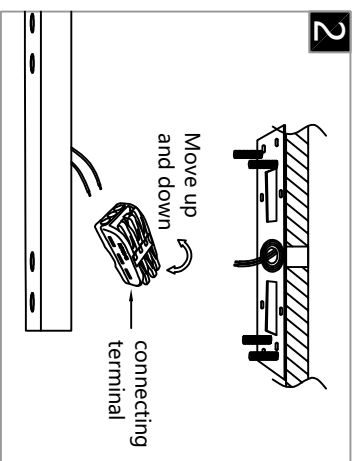


Steps of installation



1

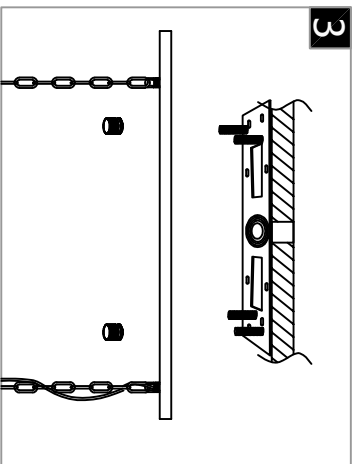
fix the expansion screws onto the ceiling, and then lock the mounting plate onto the screws.



2

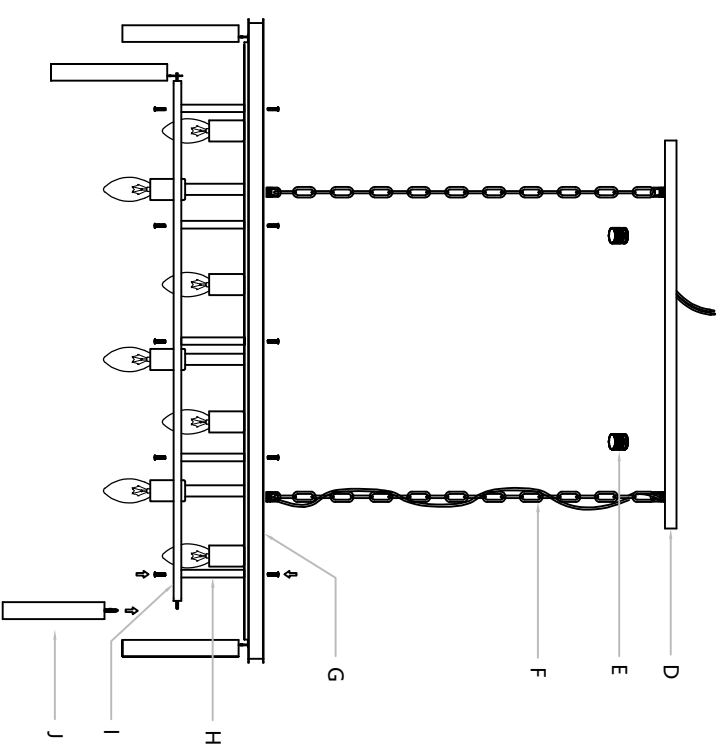
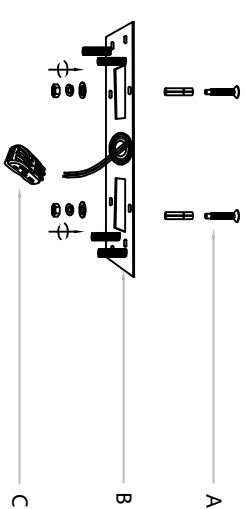
Connect the wires inside the luminaire and ceiling to the terminal, usually neutral wire (white), hot wire (black)

Product style diagram



3

Align the top cover hole position on the luminaire with the screws on the mounting plate and then secure from the bottom using the nut.



First, install the chain (F) onto the top cover (D) and the upper lamp stand (G). Then, use the connecting rod (H) to join the upper lamp stand (G) and the lower lamp stand (I) together. Secure them with screws, and then drive the expansion screws (A) into the ceiling. Next, install the mounting plate (B) onto the ceiling. Connect the top cover (D) and the reserved wires on the ceiling to the terminal block (C). Align the holes on the top cover (D) with the screws on the mounting plate, and then lock them with the wing nut (E). Finally, hang the triangular crystal column (J) onto the lamp stand.