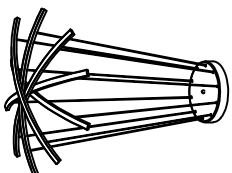
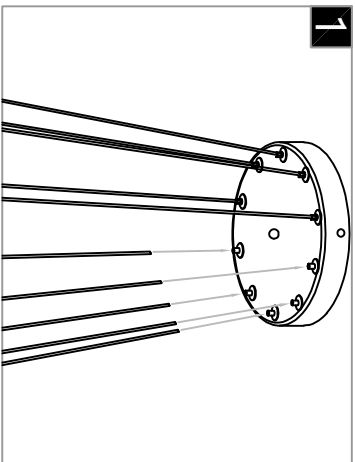


Warning:
This product must be installed by personnel who are familiar with its structure and related hazards, in accordance with the installation specifications. This product is suitable for indoor installation.

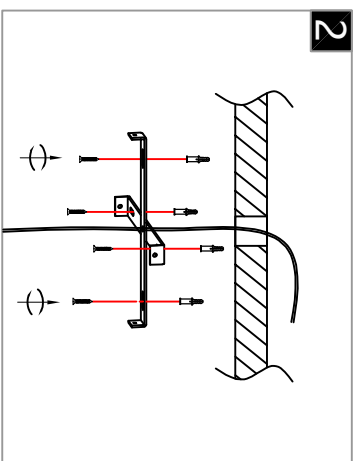


Product style diagram

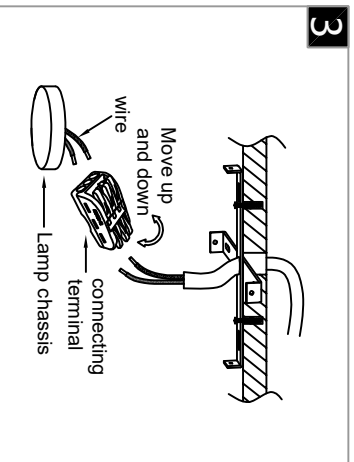
Steps of installation



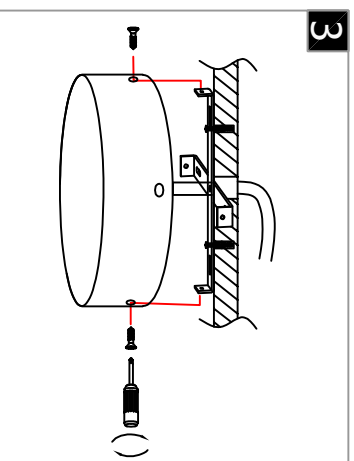
install the steel wire rope onto the top cover .



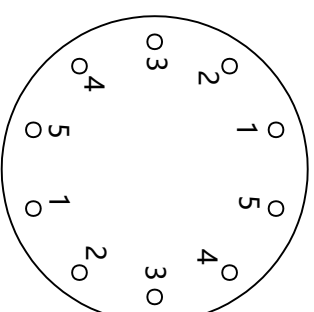
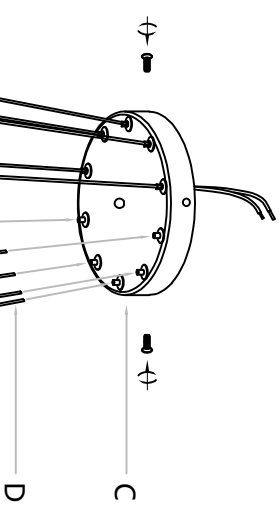
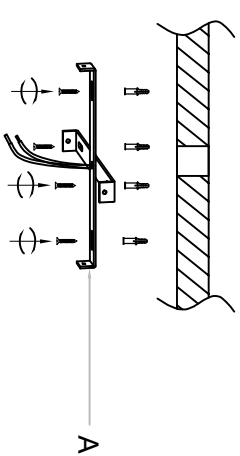
use self-tapping screws to fix the mounting plate (A) to the wall.



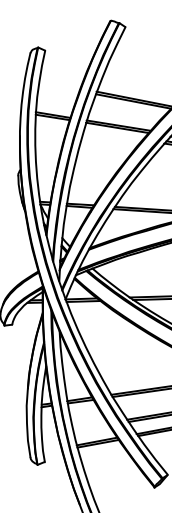
Connect the wires to the terminal blocks. Usually, the neutral wire (white) and the live wire (black).



install the top cover onto the mounting plate .



The steel wire rope needs to be aligned with the conductor.



First, install the steel wire rope (D) onto the top cover (C). Next, use self-tapping screws to fix the mounting plate (A) to the wall. Then, connect the reserved wires on the lamp body (C) with the reserved wires on the wall and the junction box (B). Finally, install the lamp body (C) onto the mounting plate (A).