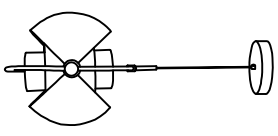
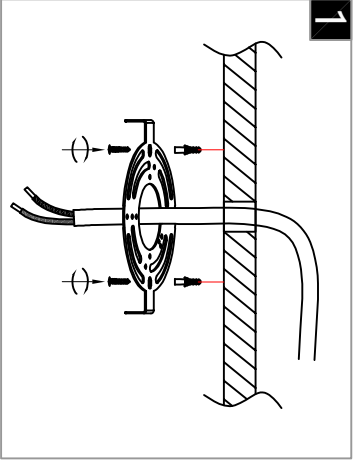


**Warning:**  
 This product must be installed by personnel who are familiar with its structure and related hazards, in accordance with the installation specifications. This product is suitable for indoor installation.

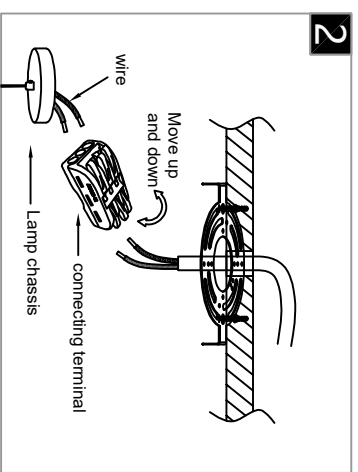


Product style diagram

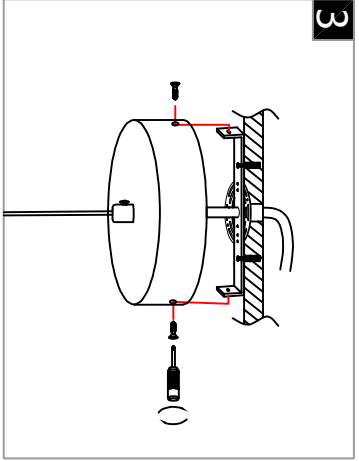
## Steps of installation



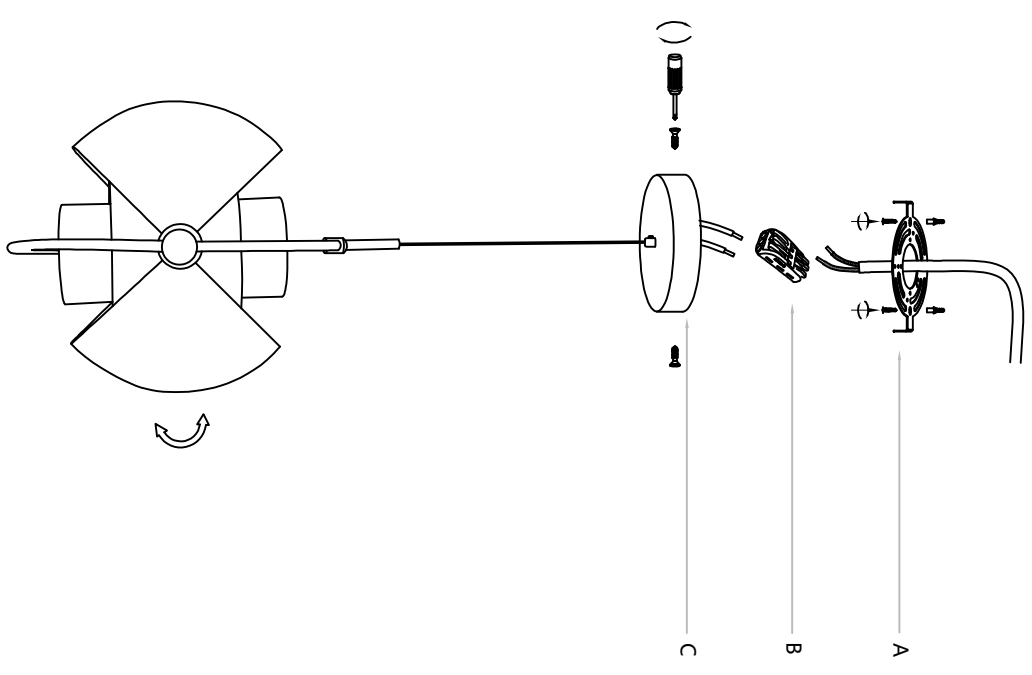
Fix the mounting plate to the ceiling using self-tapping screws.



Connect the wires inside the luminaire and ceiling to the terminal, usually neutral wire (white), hot wire (black)



Align the holes on the top cover with the holes on the mounting plate, and then secure them with screws.



use self-tapping screws to fix the mounting plate (A) to the ceiling. Next, connect the wires inside the top cover plate (C) to the wires on the ceiling and the junction box (B). Align the screw holes on the top cover plate (C) with the holes on the mounting plate (A), and fix them with screws.