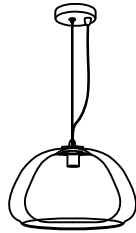
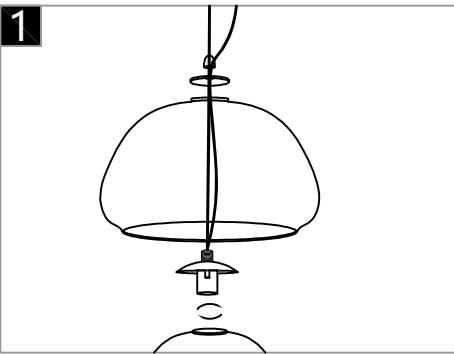


Warning:
This product must be installed by personnel who are familiar with its structure and related hazards, in accordance with the installation specifications. This product is suitable for indoor installation.

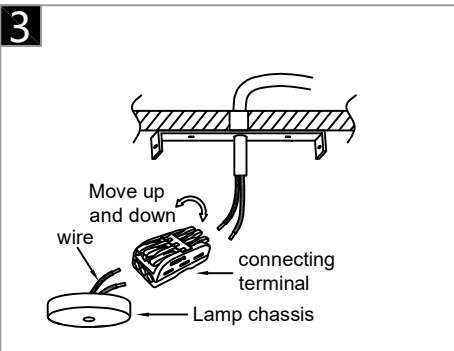


Product style diagram

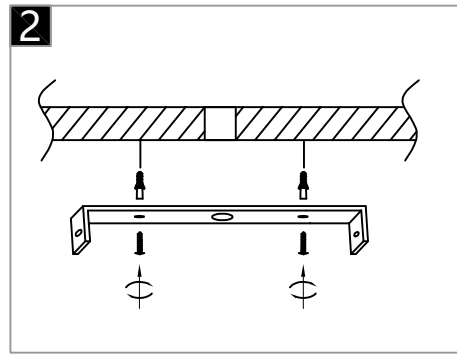
Steps of installation



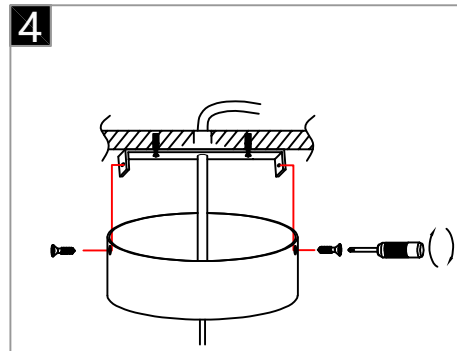
Turn the inner cover onto the lamp head, then place it inside the outer cover, then put on the lamp head cap, and finally tighten the inner teeth of the lamp head with the lock wire clip.



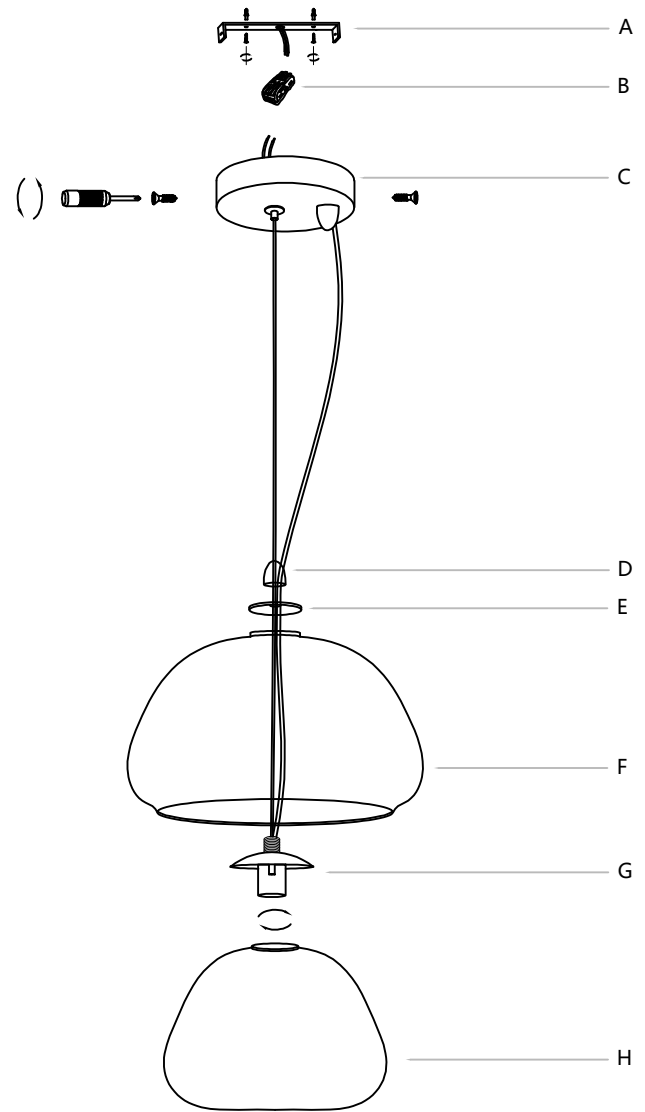
Connect the wires inside the luminaire and ceiling to the terminal, usually neutral wire (white), hot wire (black)



Attach the mounting plate to the ceiling with self-tapping screws.



Align the holes on the top cover with the holes on the mounting plate, and then secure them with screws.



Turn the inner cover (H) onto the lamp base (G), then place it inside the outer cover (F), then put on the lamp cap (E), and finally tighten the inner teeth of the lamp base with the lock wire clip (D). Fix the mounting plate (A) to the ceiling. Next, connect the wires reserved for the top cover (C) to the wiring terminal (B) on the ceiling. Then align the holes on the top cover (C) with the holes on the mounting plate (A), and tighten the screws.