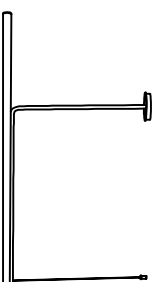


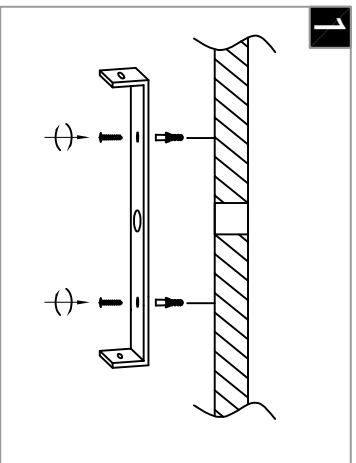
Warning:

This product must be installed by personnel who are familiar with its structure and related hazards, in accordance with the installation specifications. This product is suitable for indoor installation.

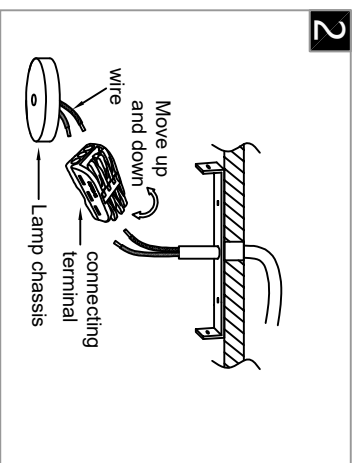


Product style diagram

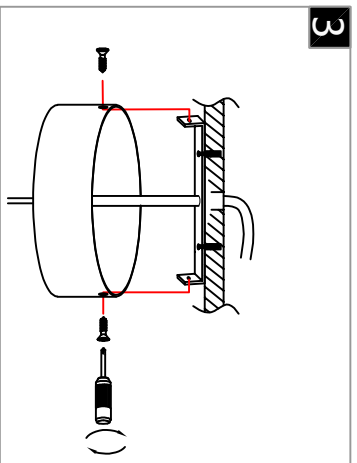
Steps of installation



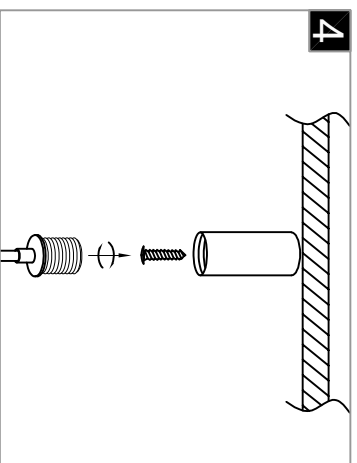
1 Attach the mounting plate to the ceiling with self-tapping screws.



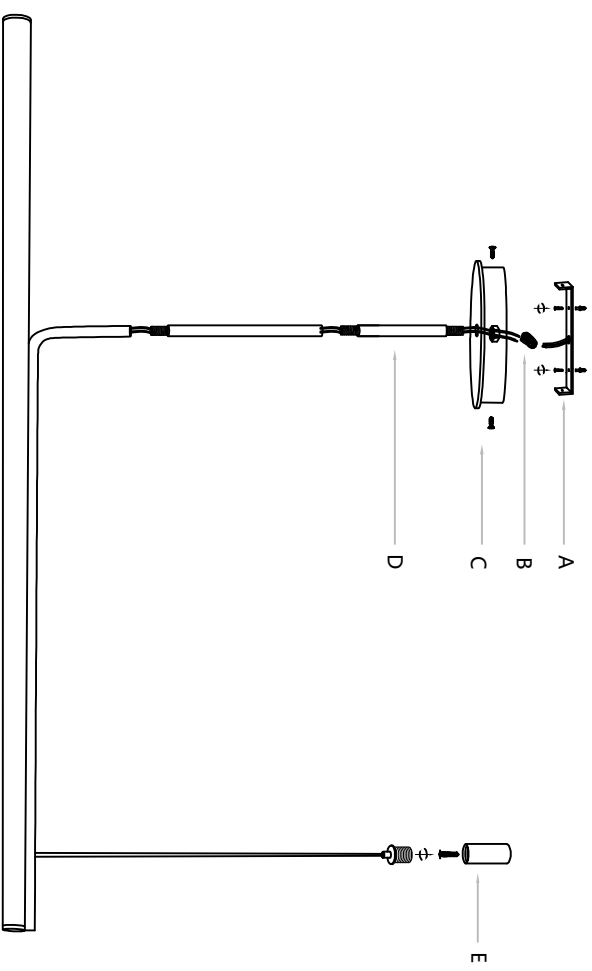
2 Connect the wires inside the luminaire and ceiling to the terminal, usually neutral wire (white), hot wire (black)



3 Align the holes on the top cover with the holes on the mounting plate and then secure them with screws.



4 Place the iron pin at the desired angle, then attach it to the ceiling with self-tapping screws, and then fasten it with locking wire Screw it on the iron pin.



Pass the wires on the lamp body through the threaded rod (D) and insert them into the top cover (C). Then, assemble the threaded rod (D) and fix it onto the top cover (C). Next, tighten the nut. Then, place the iron nail (E) at the desired angle position, and fix it to the ceiling using self-tapping screws. Then, screw the lock wire screw onto the iron nail (E). Fix the mounting plate (A) to the ceiling. Afterwards, connect the reserved wires for the top cover (C) to the wires and terminals (B) on the ceiling. Next, align the holes on the top cover (C) with those on the mounting plate (A), and tighten the screws.