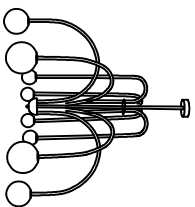


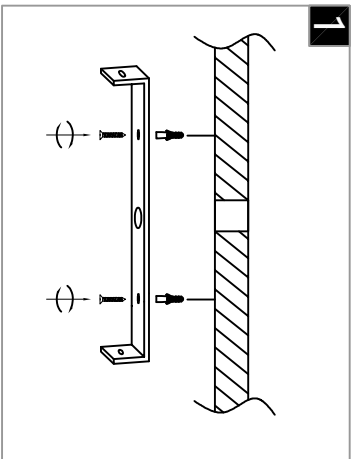
Warning:

This product must be installed by personnel who are familiar with its structure and related hazards, in accordance with the installation specifications. This product is suitable for indoor installation.

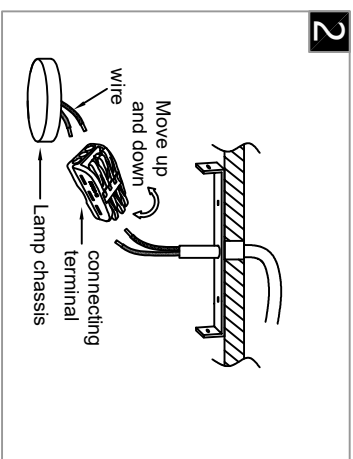


Product style diagram

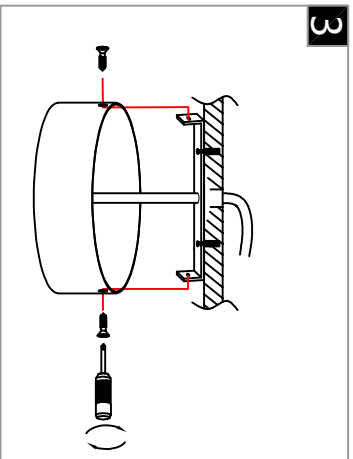
Steps of installation



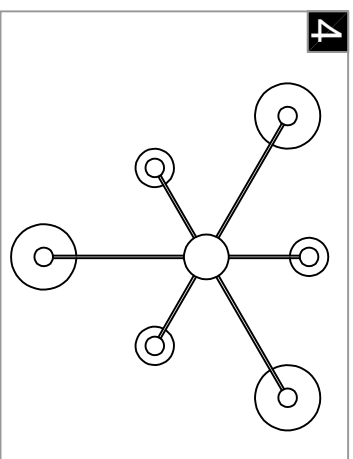
Attach the mounting plate to the ceiling with self-tapping screws.



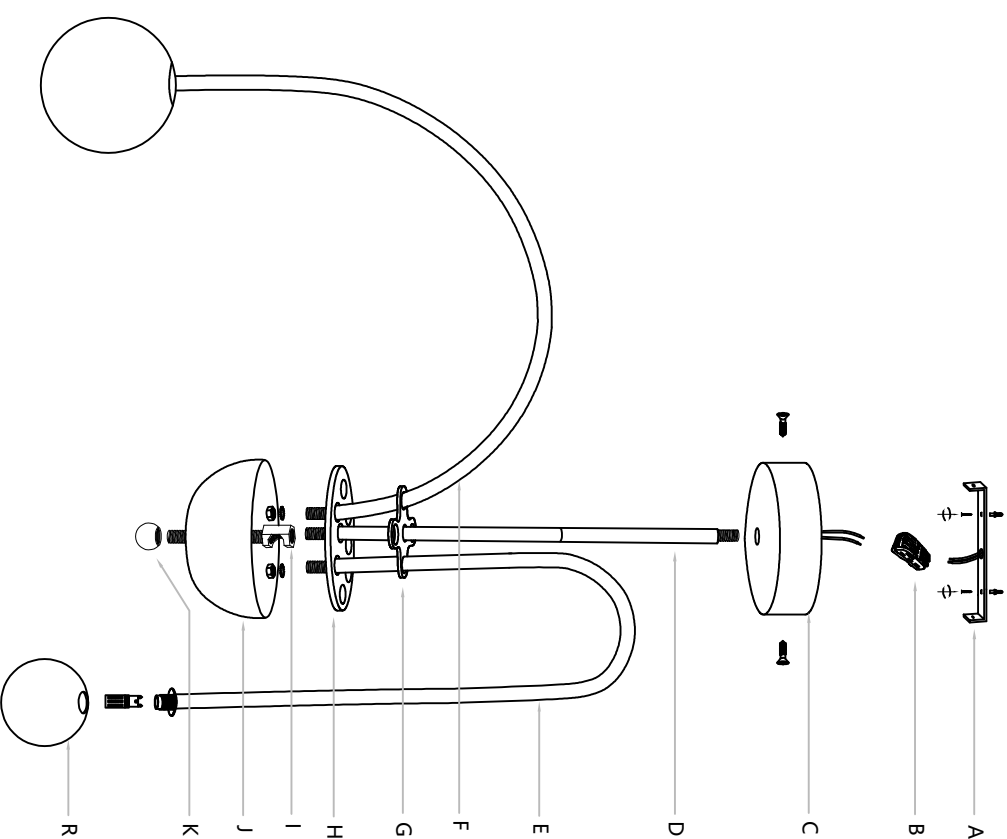
Connect the wires inside the luminaire and ceiling to the terminal, usually neutral wire (white), hot wire (black)



Align the holes on the top cover with the holes on the mounting plate, and then secure them with screws.



U-shaped lamp post misalignment installation diagram



First, position the U-shaped rods (E) and (F) out of alignment and pass them through the four-hole circular piece (G), then install it on the circular piece (H). Next, assemble the connecting rod (D) and install it inside the semi-circular base cover (J). Secure it with an open-ended nut (I) and finally lock it with a round head nut (K). Then, install the light source. Next, screw the glass cover (R) onto the lamp head. Finally, install the entire lamp onto the top cover (C). Fix the mounting plate (A) to the ceiling. Next, connect the wires reserved in the top cover (C) to the wires on the ceiling, and then connect them to the terminal block (B). Then, align the holes on the top cover (C) with the holes on the mounting plate (A), and tighten the screws.