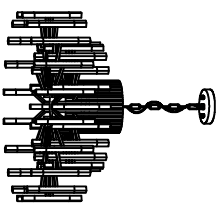


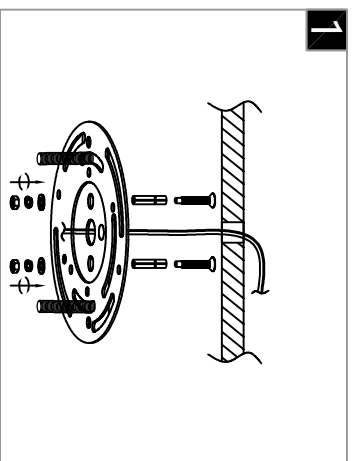
**Warning:**

This product must be installed by personnel who are familiar with its structure and related hazards, in accordance with the installation specifications. This product is suitable for indoor installation.



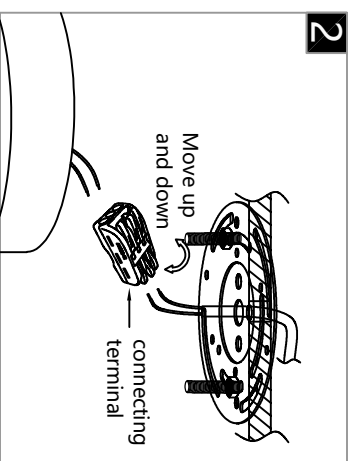
Product style diagram

**Steps of installation**



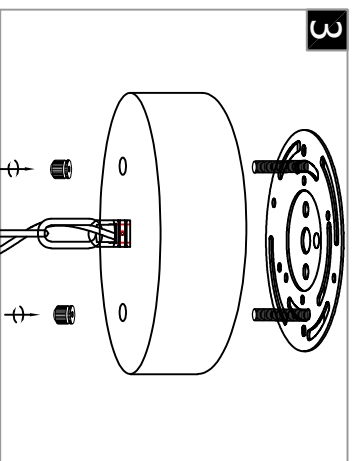
**1**

fix the expansion screws onto the ceiling, and then lock the mounting plate onto the screws.



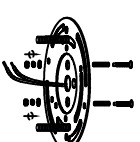
**2**

Connect the wires inside the luminaire and ceiling to the terminal, usually neutral wire (white), hot wire (black)



**3**

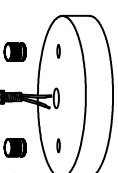
Align the top cover hole position on the luminaire with the screws on the mounting plate and then secure from the bottom using the nut.



A



B



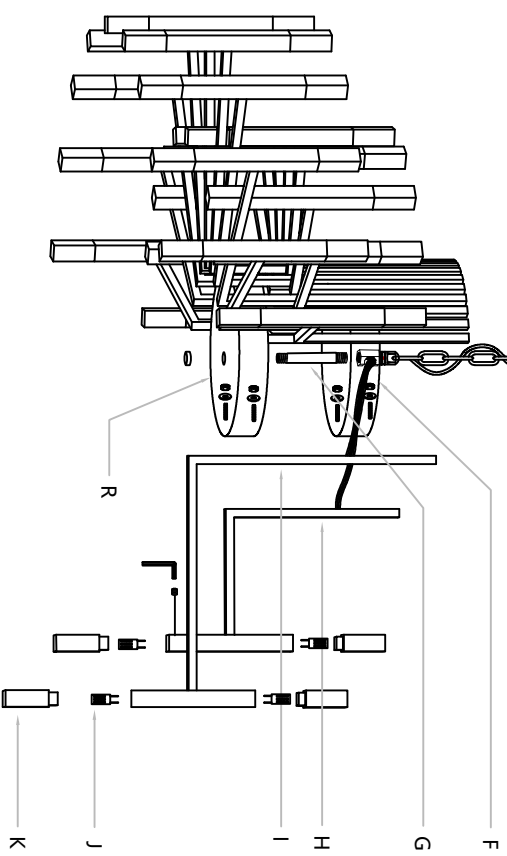
C



D



E



First, alternate the long lamp arm (I) and the short lamp arm (H) and install them onto the upper lamp plate (F) and the lower lamp plate (R). Then, use nuts to lock them inside the lamp plates. Next, fix the lamp plates in the middle with a threaded connecting rod (G). Then, insert the light source (J) into the lamp head on the lamp arm. After that, install the long lamp cover (K) onto the lamp head. Use a small wrench to tighten the screws. Then, pass the wires on the lamp body through the hanging chain (E) and insert them into the top cover (C). Lock the hanging chain (E) onto the lamp body plate (F) and the top cover (C). Next, fix the mounting plate (A) to the ceiling. Connect the reserved wires to the terminal block (B). Finally, align the holes on the top cover (C) with the screws on the mounting plate (A), and tighten them with a nut (D).