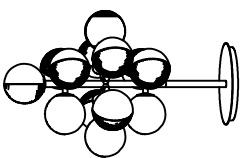


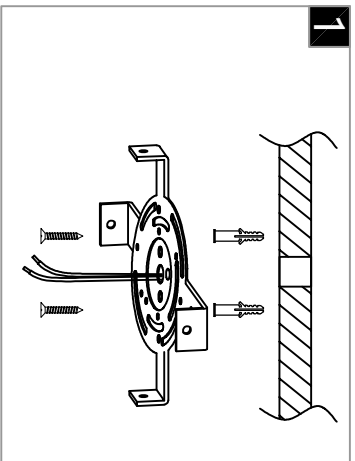
Warning:

This product must be installed by personnel who are familiar with its structure and related hazards, in accordance with the installation specifications. This product is suitable for indoor installation.

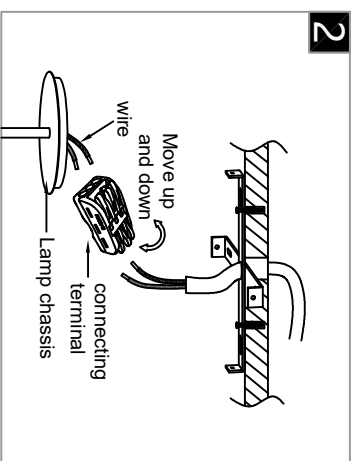


Product style diagram

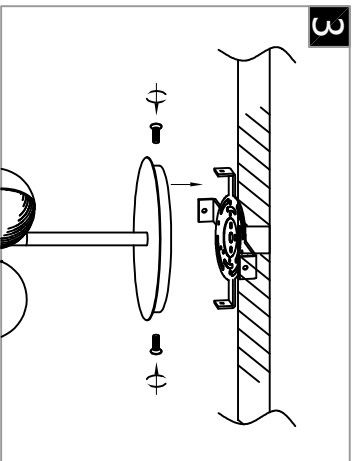
Steps of installation



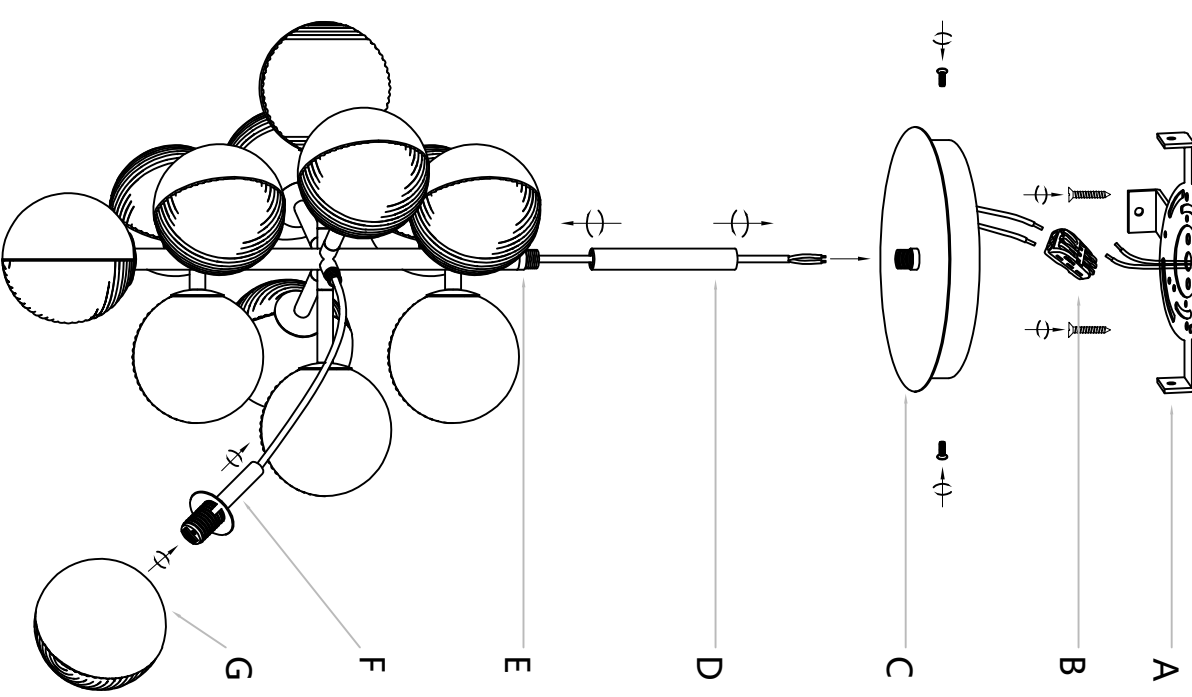
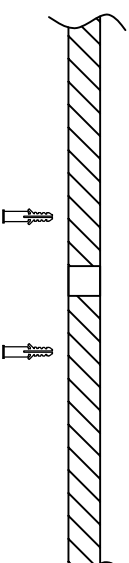
Attach the mounting plate to the ceiling.



Connect the wires of the top cover to those of the ceiling using the terminal block.



Align the holes of the top cover with those of the mounting plate, and tighten the screws.



First, install the lamp pole (D) and the lamp base pole (F) onto the lamp body (E). Then, fix the mounting plate (A) to the ceiling. Next, use the terminal blocks (B) to connect the wires of the top cover (C) to the wires of the ceiling. After that, align the holes of the top cover (C) with those of the mounting plate (A), and tighten the screws. Finally, install the glass lampshade (G) onto the lamp base (F), and lock it by rotating.