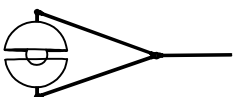


WOMO Lighting

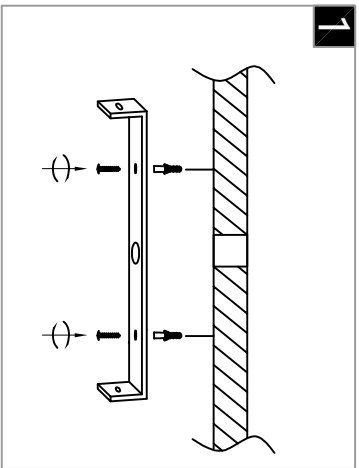
Model number : WM2506

Warning:

This product must be installed by personnel who are familiar with its structure and related hazards, in accordance with the installation specifications. This product is suitable for indoor installation.

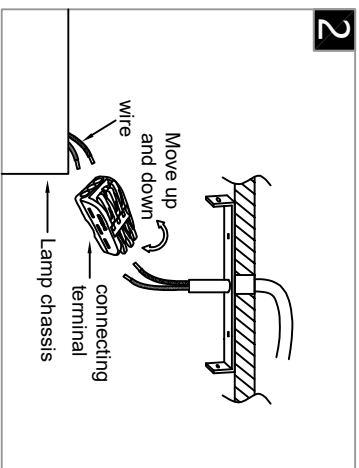


Product style diagram



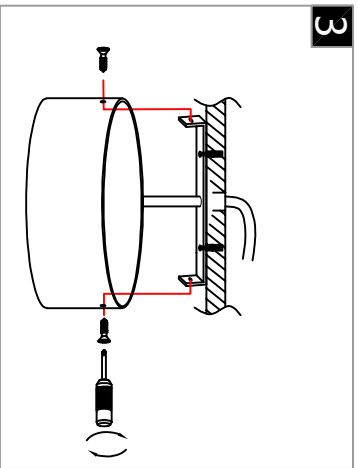
1

Fix the installation board to the ceiling using self-tapping screws.



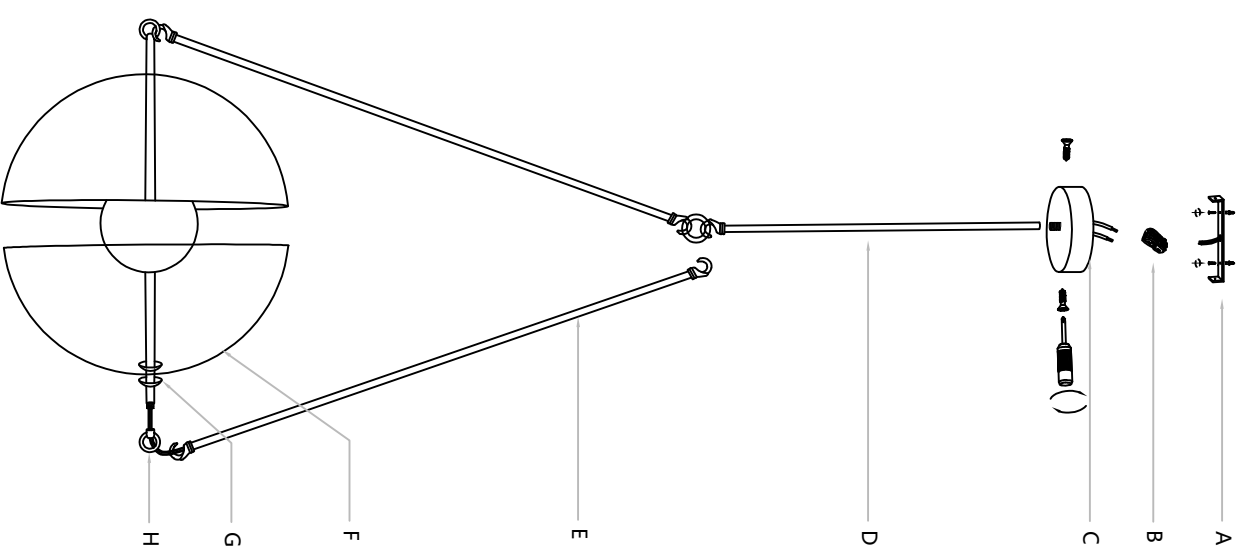
2

Connect the wires to the terminal blocks. Usually, the neutral wire (white) and the live wire (black).



3

Align the holes on the top cover with the holes on the mounting plate, and then secure them with screws.



First, use the semi-circular piece (G) to install the semi-circular lampshade (F) inside and outside the lampshade holder (F) onto the lamp body. Then, use the ring buckle (H) to lock it. Next, pass the wires through the hooked connecting rod (E) and the threaded rod (D) and insert them into the top cover (C). Then, hang the hooked connecting rod (E) onto the ring on the ring buckle (H) and the threaded rod (D), and finally screw the threaded rod (D) onto the top cover (C).