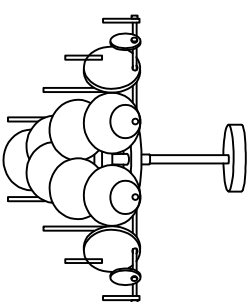


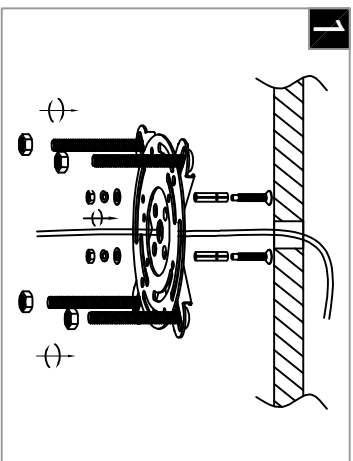
Warning:

This product must be installed by personnel who are familiar with its structure and related hazards, in accordance with the installation specifications. This product is suitable for indoor installation.

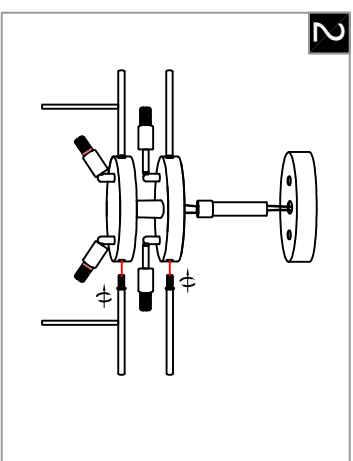


Product style diagram

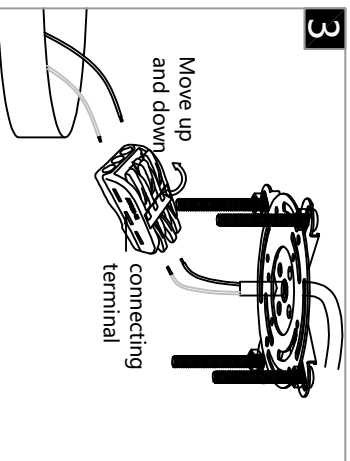
Steps of installation



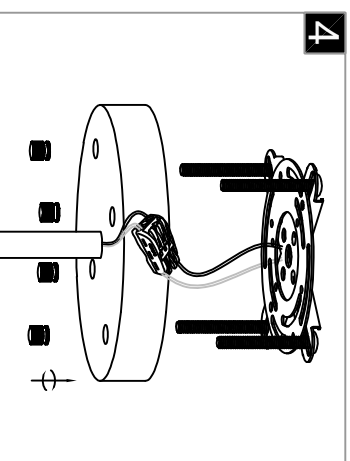
1 First, fix the expansion screws onto the ceiling, and then lock the mounting plate onto the screws.



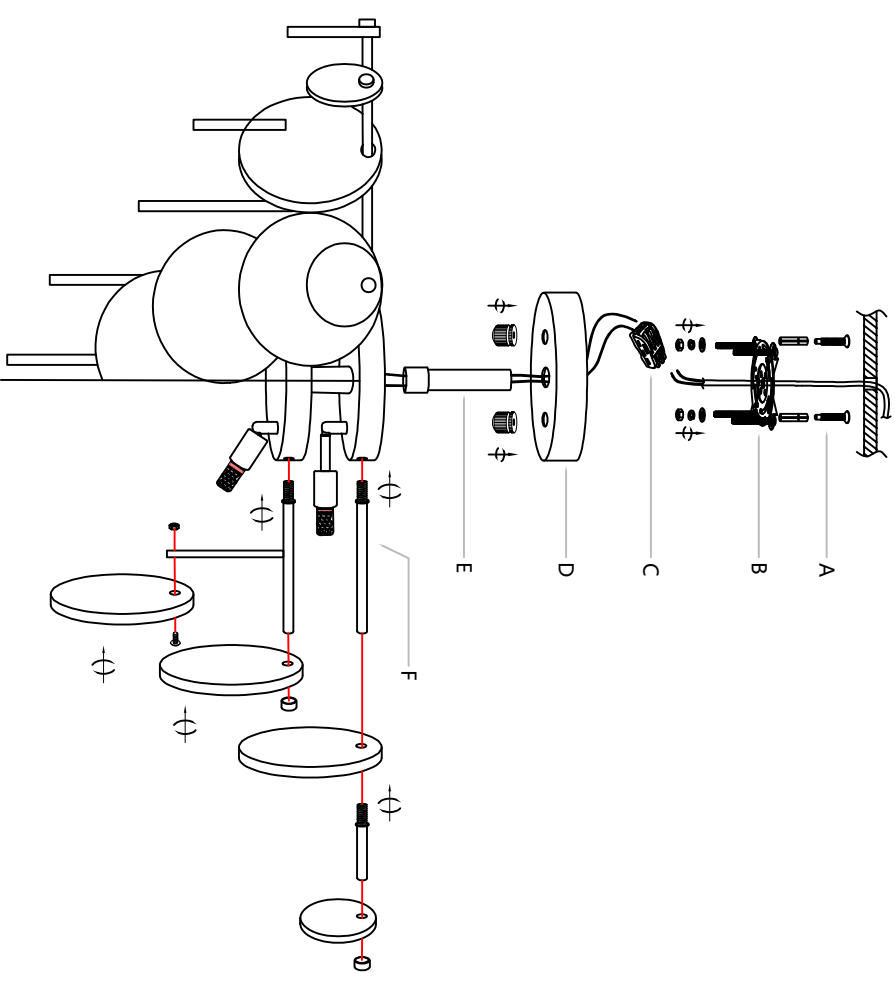
2 Install the lamp arm bracket to the lamp body, and then install the lamp body to the top cover.



3 Move up and down the wires inside the luminaire and ceiling to the terminal, usually neutral wire (white), hot wire (black)



4 Align the top cover hole position on the luminaire with the screws on the mounting plate and then secure from the bottom using the nut.



The lower wire of the lamp body is threaded through the threaded pipe (E), and then connected to the lamp body and the top cover (D), and then the screw (A) is set with the iron pin into the ceiling, and then the mounting plate (B) is fixed to the ceiling, and then the reserved wire on the lamp body and the ceiling is connected to the terminal (C). Finally, install the 40 cm long lamp arms (F) onto the lamp body, a total of 10 pieces. Then, install the 250 mm and 200 mm glass sheets at staggered positions. Next, install the external threaded connectors, then install the 140 mm glass sheet. Place the T-shaped tube and the 20 cm long straight tube at an angle. Arrange the 250 mm and 200 mm glass pieces at staggered positions. Finally, install the 200 mm glass sheet, locking screws and nuts.