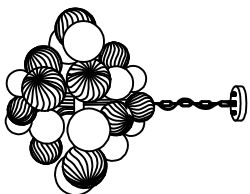


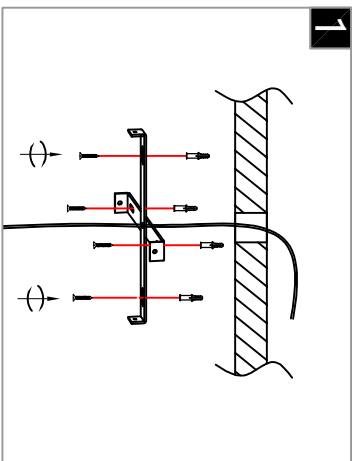
Warning:

This product must be installed by personnel who are familiar with its structure and related hazards, in accordance with the installation specifications. This product is suitable for indoor installation.

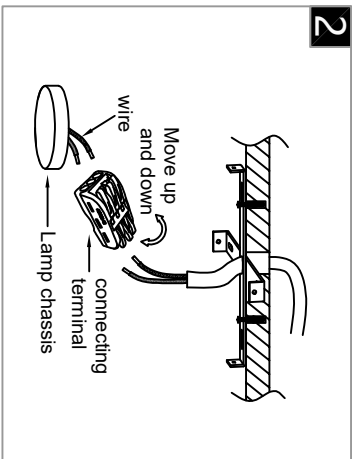


Product style diagram

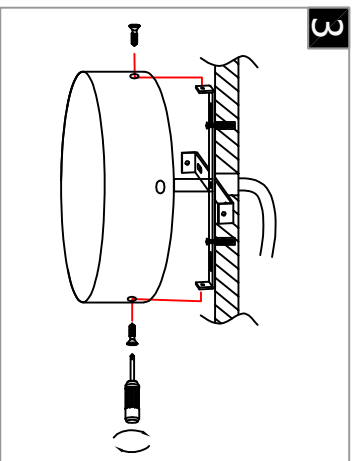
Steps of installation



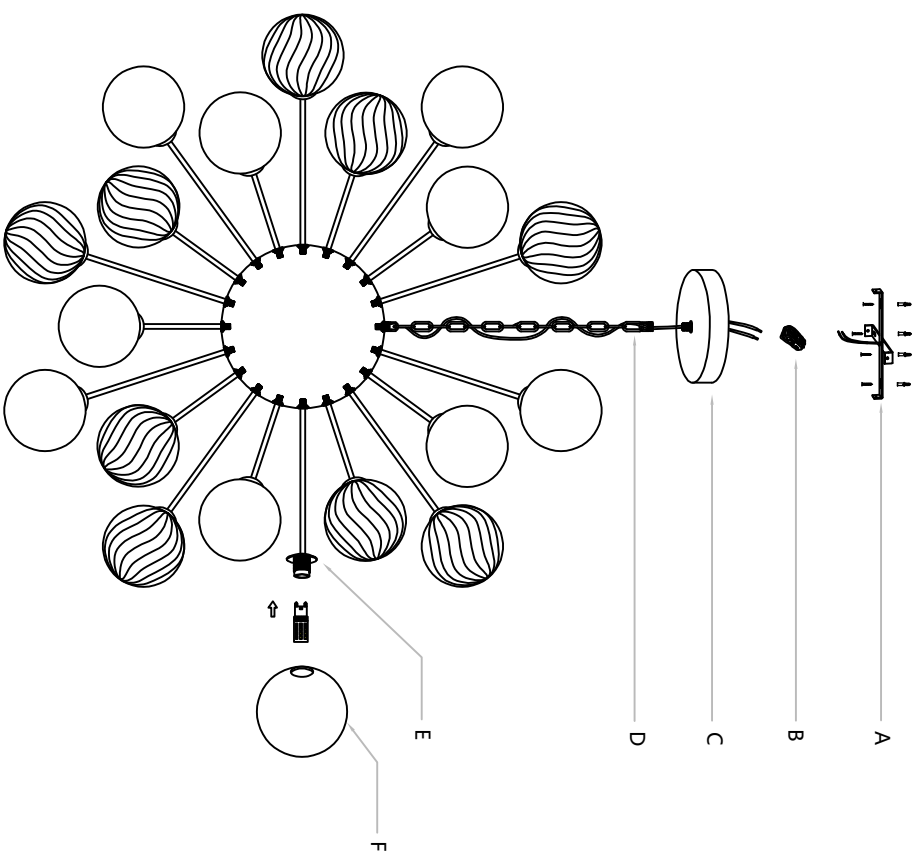
Attach the mounting plate to the ceiling with self-tapping screws.



Connect the wires to the terminal blocks. Usually, the neutral wire (white) and the live wire (black).



Align the hole on the side of the integral lamp canopy with the hole on the mounting plate and lock it tightly with screws.



Fix the mounting plate (A) to the ceiling using self-tapping screws. Then connect the top cover (C) and the reserved wires on the ceiling to the terminal block (B). Next, align the screw holes on the top cover (C) with the holes on the mounting plate (A), and then secure them with screws. Attach the lamp body chain (D) to the top cover (C), then install the light source onto the lamp cap (E), and then twist the glass lampshade (F) onto the lamp cap (E) at an angle.