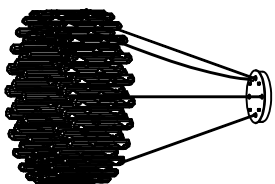
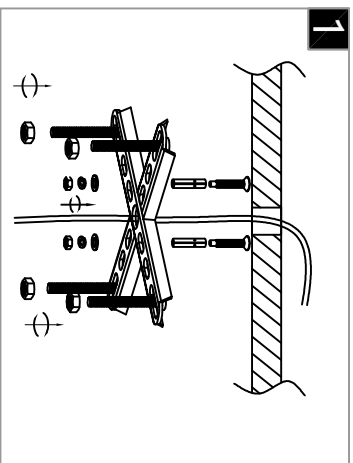


**Warning:**

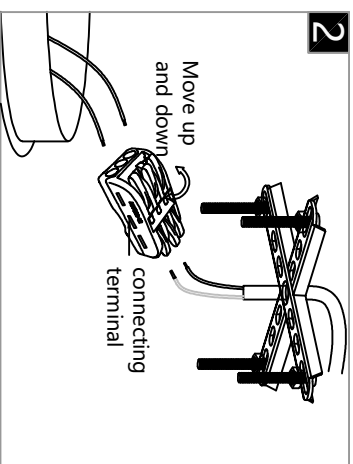
This product must be installed by personnel who are familiar with its structure and related hazards, in accordance with the installation specifications. This product is suitable for indoor installation.



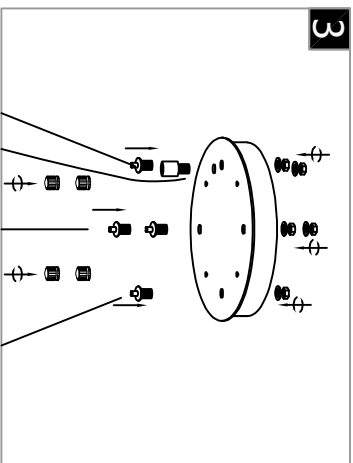
Product style diagram



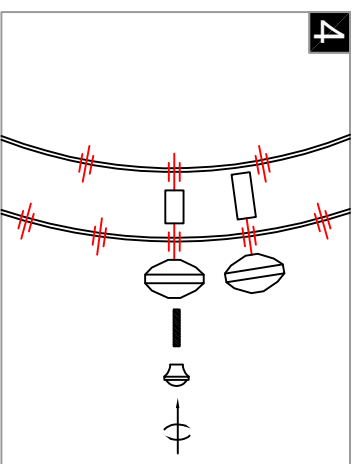
**1** First, fix the expansion screws onto the ceiling, and then lock the mounting plate onto the screws.



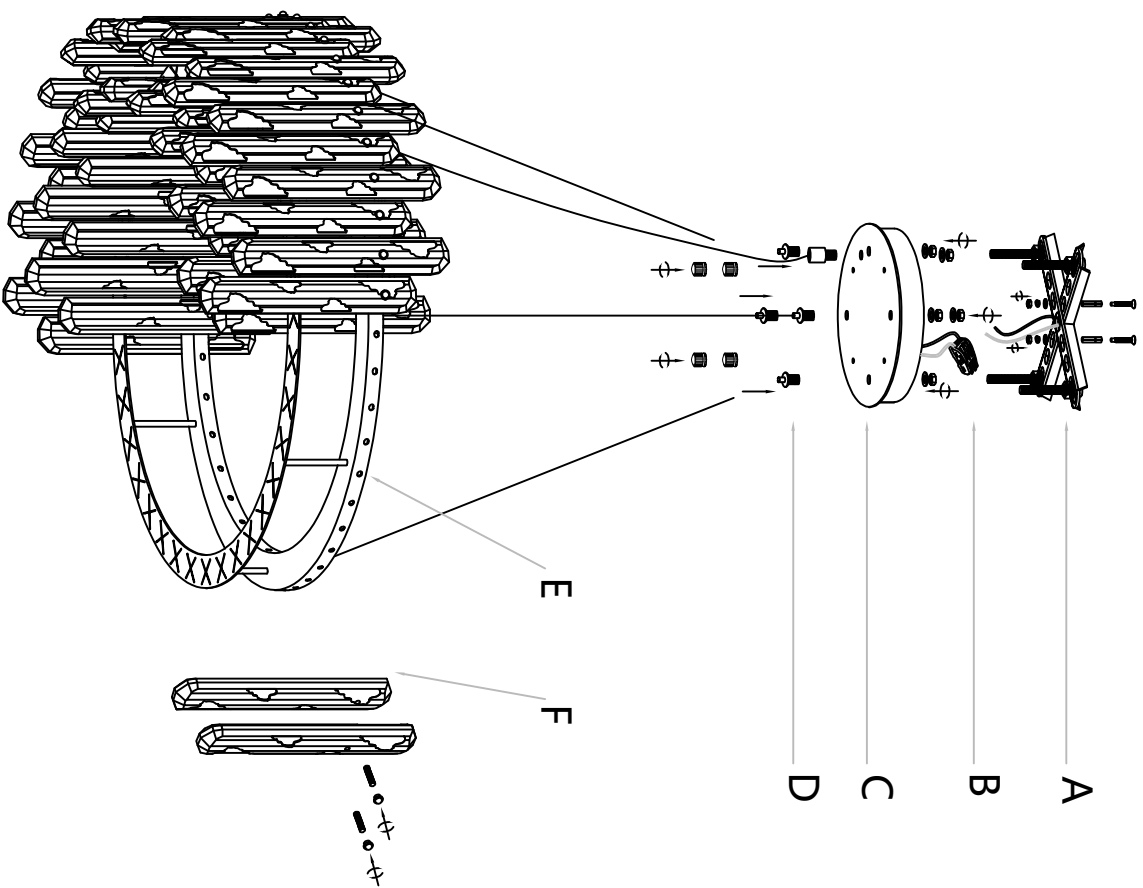
**2** Connect the wires inside the luminaire and ceiling to the terminal, usually neutral wire (white), hot wire (black)



**3** Install the lockline device onto the top cover. Then, thread the wires and the steel rope through the lockline device and secure them in place. Align the holes of the top cover with the threaded rod of the mounting plate,



**4** Align the holes of the crystal strip with those of the lamp body, tighten the screws, (using long internal threaded columns for the parallel holes of the lamp body, and short internal threaded columns for the misaligned positions).



First, install the lockline device (D) onto the top cover (C). Then, thread the wires and the steel rope through the lockline device and secure them in place. Then, install the mounting plate (A) onto the ceiling. Next, use the terminal (B) to connect the wires of the top cover (C) to the wires of the ceiling. Then, align the holes of the top cover (C) with the threaded rod of the mounting plate (A), and tighten the nut. Next, align the holes of the crystal strip (F) with the holes of the lamp body (E), and tighten the screws (the holes of the lamp body are parallel and use long internal threaded columns; the misaligned positions use short internal threaded columns).