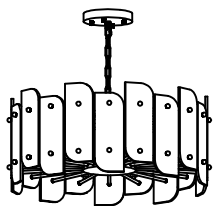
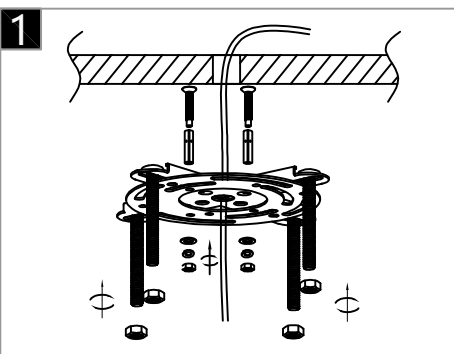


Warning:
This product must be installed by personnel who are familiar with its structure and related hazards, in accordance with the installation specifications. This product is suitable for indoor installation.

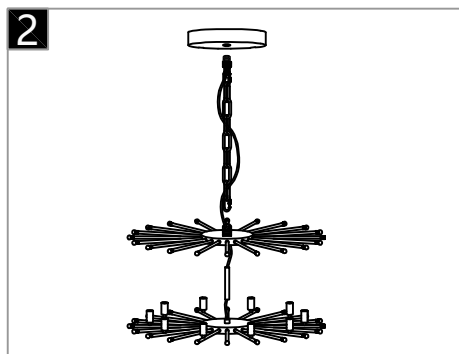


Product style diagram

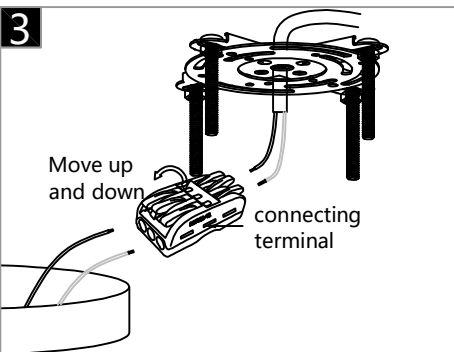
Steps of installation



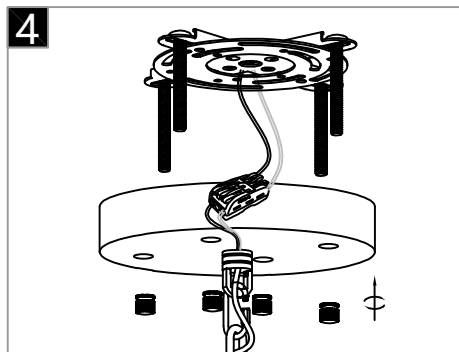
First, fix the expansion screws onto the ceiling, and then lock the mounting plate onto the screws.



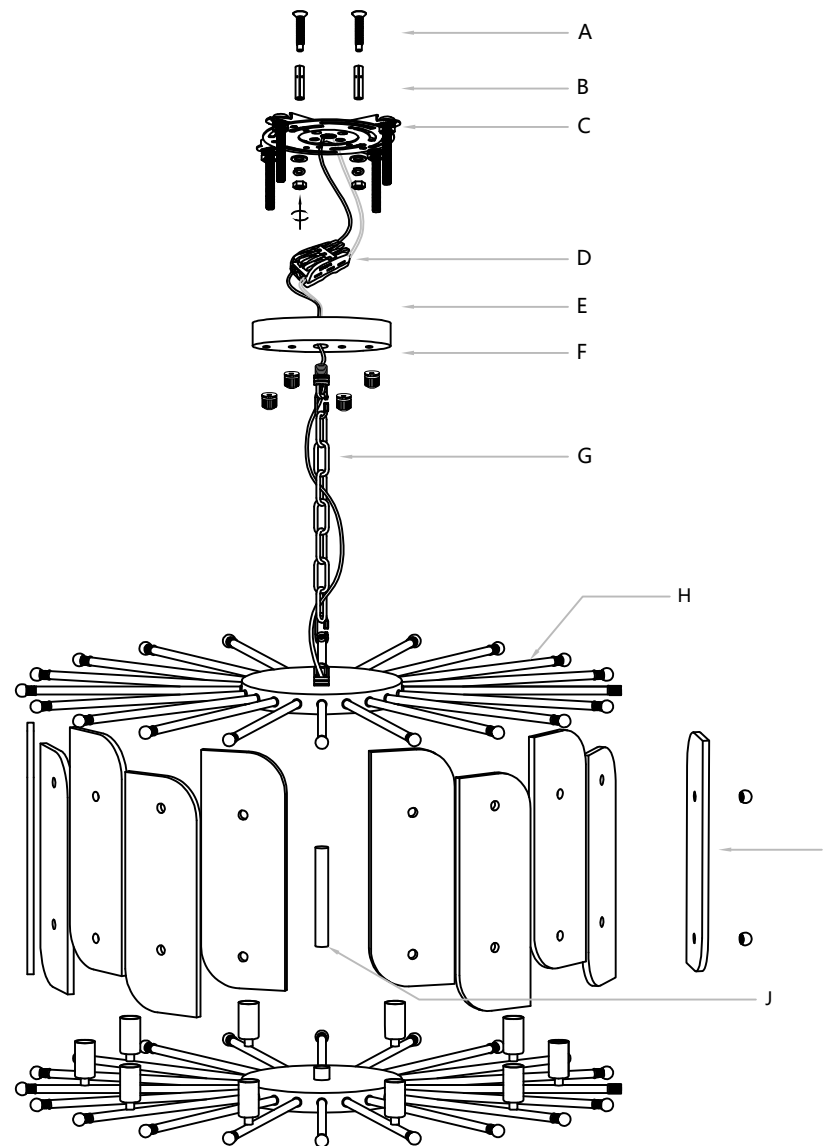
Thread the wires of the lower layer of the lamp body through the threaded pipe, then connect the upper and lower layers of the lamp body together, and then connect the wires through the chain to the top cover, and then lock the chain to the lamp body and the top cover.



Connect the wires inside the luminaire and ceiling to the terminal, usually neutral wire (white), hot wire (black)



Align the top cover hole position on the luminaire with the screws on the mounting plate and then secure from the bottom using the nut.



Thread the wires of the lower layer of the lamp body through the threaded pipe (J), then connect the upper and lower layers of the lamp body (H) together, then connect the wires through the chain to the top cover (F), and then lock the chain (G) to the lamp body (H) and the top cover (F). The positioning pin (B) on the expansion screw is then inserted into the screw (A) and fixed to the ceiling. Next, align the holes in the mounting plate (C) with the screws and secure them with a nut. Then connect the wires on the lamp body to the terminal (D), and connect the wires on the ceiling to the terminal. Then install the lamp body mounting plate (E) and align the mounting hole with the expansion screw (A). Lock from the bottom with a nut. Then put on gloves, loosen the nut on the lamp body (H), and install the jade lamp plate (I) on the lamp body (H) according to one forward and one reverse.