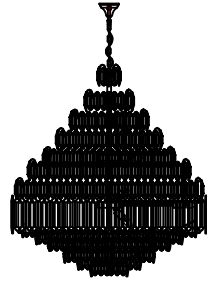
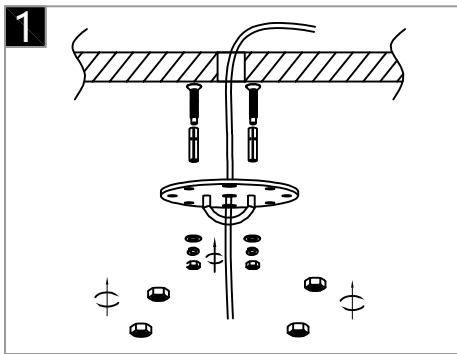


**Warning:**  
This product must be installed by personnel who are familiar with its structure and related hazards, in accordance with the installation specifications. This product is suitable for indoor installation.

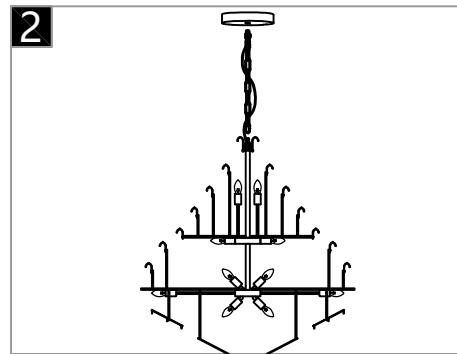


Product style diagram

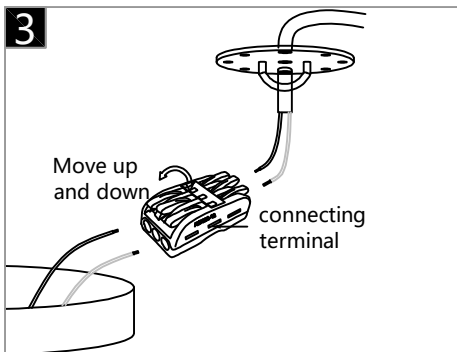
Steps of installation



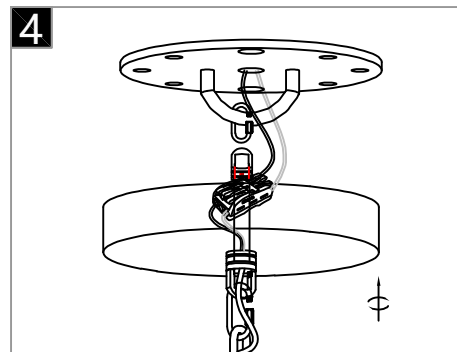
First, fix the expansion screws onto the ceiling, and then lock the mounting plate onto the screws.



Install the lamp body shelf according to the corresponding size, and then put the lamp body wire through the chain to the top cover reserved, and then connect the chain to the top cover and the lamp body



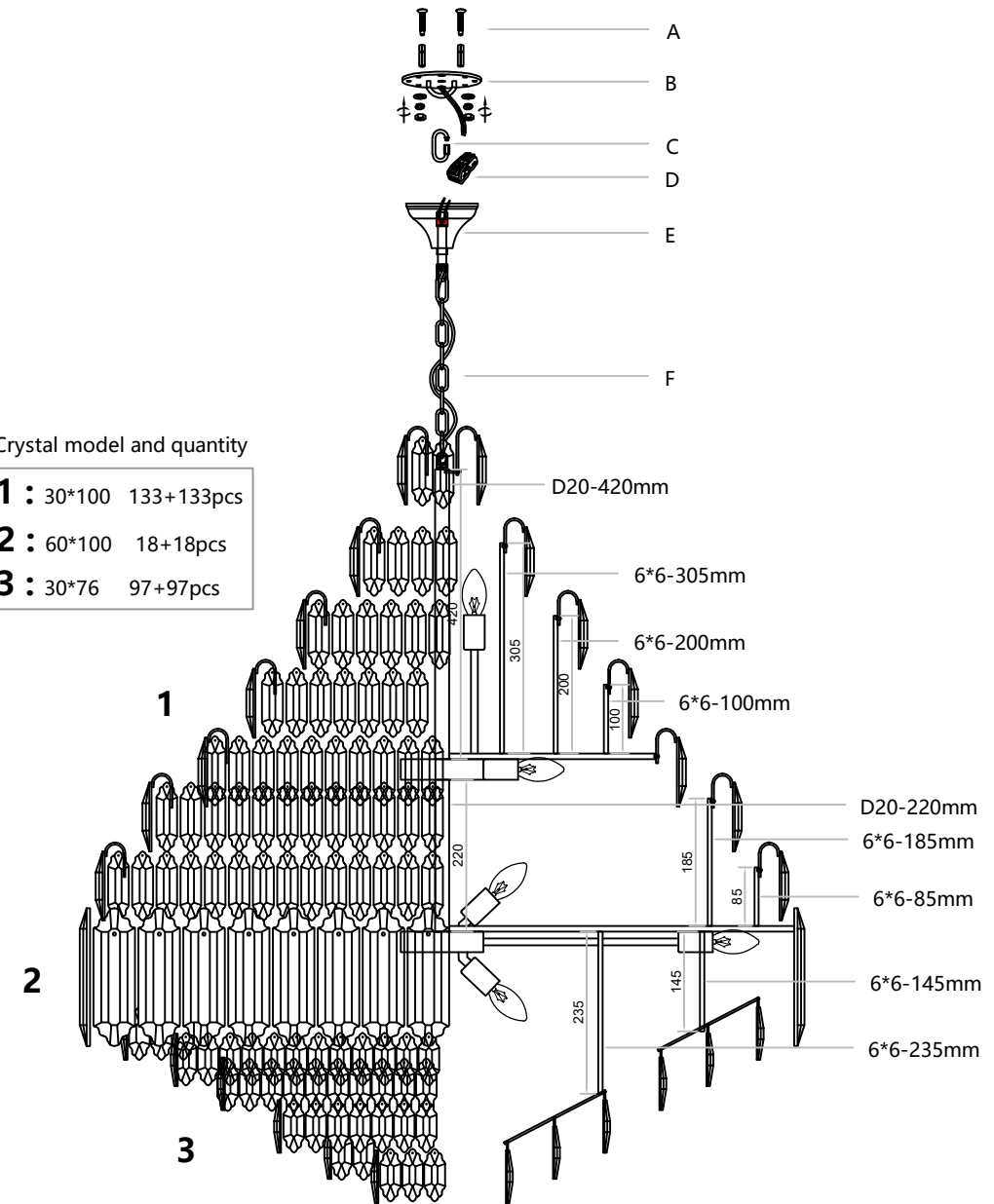
Connect the wires inside the luminaire and ceiling to the terminal, usually neutral wire (white), hot wire (black)



Lock the clasp to the hook on the lamp cover and mounting plate, then tighten the screws

Crystal model and quantity

- 1** : 30\*100 133+133pcs
- 2** : 60\*100 18+18pcs
- 3** : 30\*76 97+97pcs



First, put the iron pin onto the screw (A) and then drive it into the ceiling. Then, use a screw and a washer to fasten the mounting plate (B) onto the screw on the ceiling. Next, assemble the lamp body frame together according to the corresponding dimensions. Then, pass the wires through the chain (F) to the reserved opening on the top cover (E). Then, fasten the safety button (C) on the top cover (E) onto the hook on the mounting plate (B). Then, connect the wires on the top cover (E) and the wires on the ceiling to the terminal block (D). Then, lift the top cover (E) upwards and tighten the screws at the bottom. Finally, alternate the smoke grey and clear glass in the order of 1, 2, and 3 crystal models and fasten them onto the lamp body.