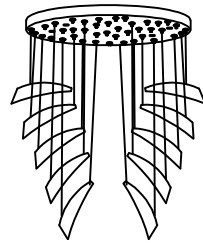
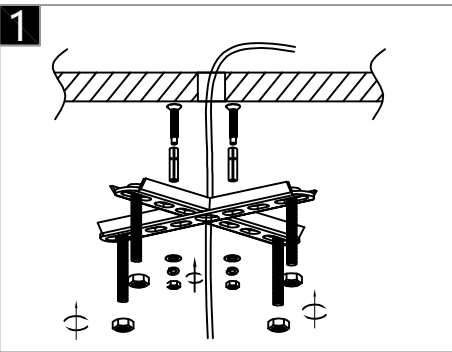


Warning:
This product must be installed by personnel who are familiar with its structure and related hazards, in accordance with the installation specifications. This product is suitable for indoor installation.

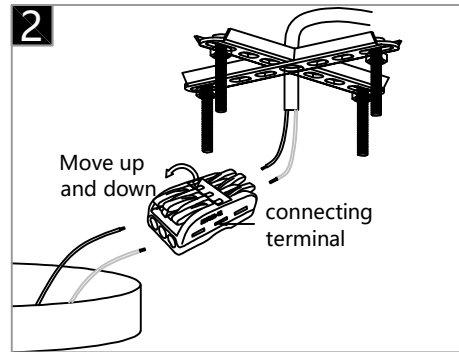


Product style diagram

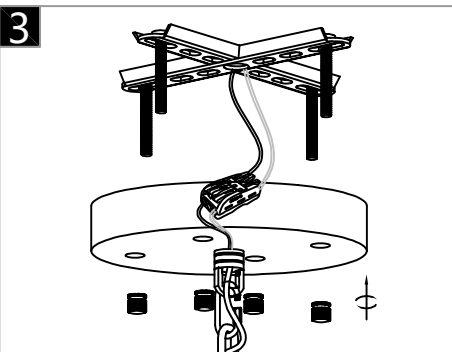
Steps of installation



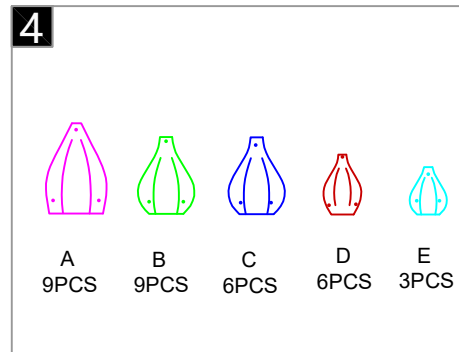
First, fix the expansion screws onto the ceiling, and then lock the mounting plate onto the screws.



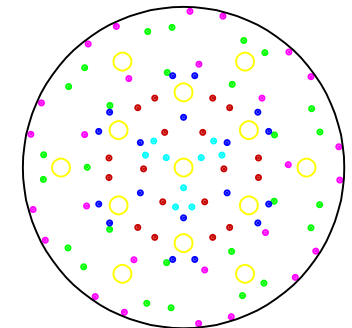
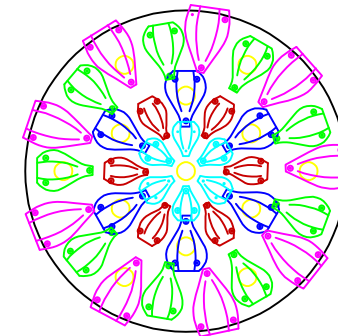
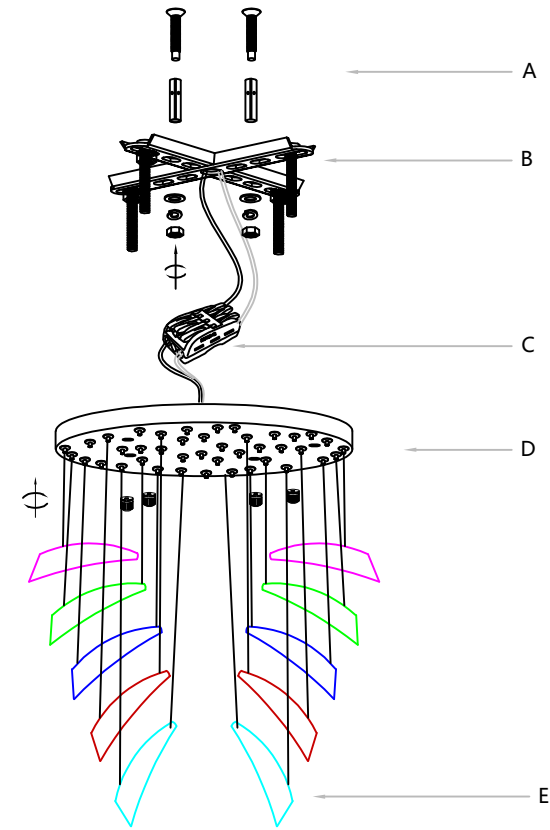
Connect the wires inside the luminaire and ceiling to the terminal, usually neutral wire (white), hot wire (black)



Align the top cover hole position on the luminaire with the screws on the mounting plate and then secure from the bottom using the nut.



Attach the glass pendant to the corresponding hole in the top cover.



Position hole map

Screw (A) with iron pins into the ceiling, then lock the installation (B) to the ceiling, then connect the reserved wires on the top cover (D) and the ceiling to the wiring terminal (C), then lock the top cover (D) to the mounting plate (B), and then hang the glass pendant (E) to the top cover according to the top cover color position on the drawing.